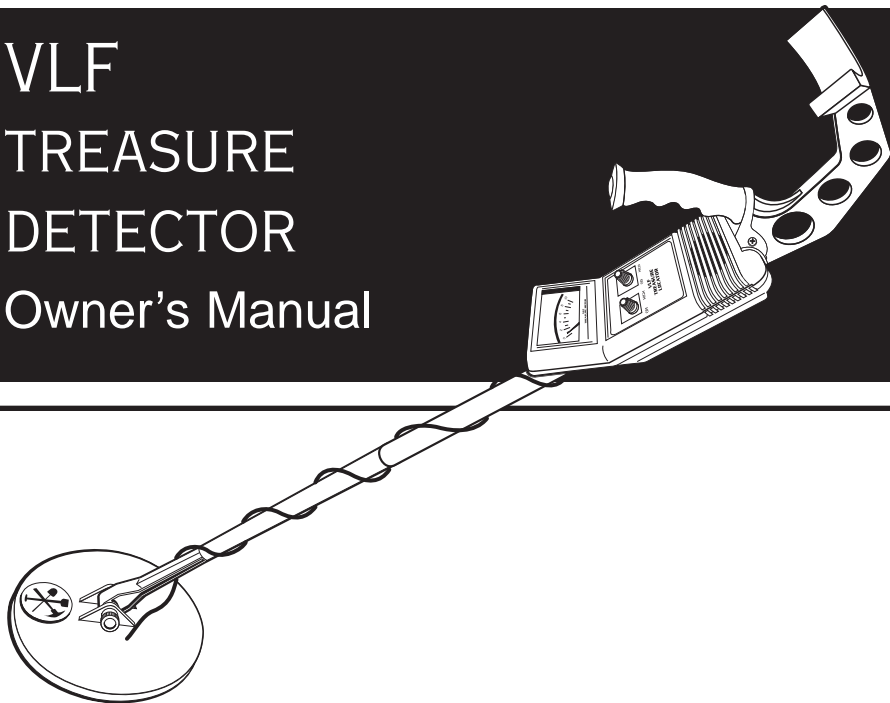

VLF TREASURE DETECTOR Owner's Manual



VLF TREASURE DETECTOR

Owner's Manual

I. ASSEMBLY:

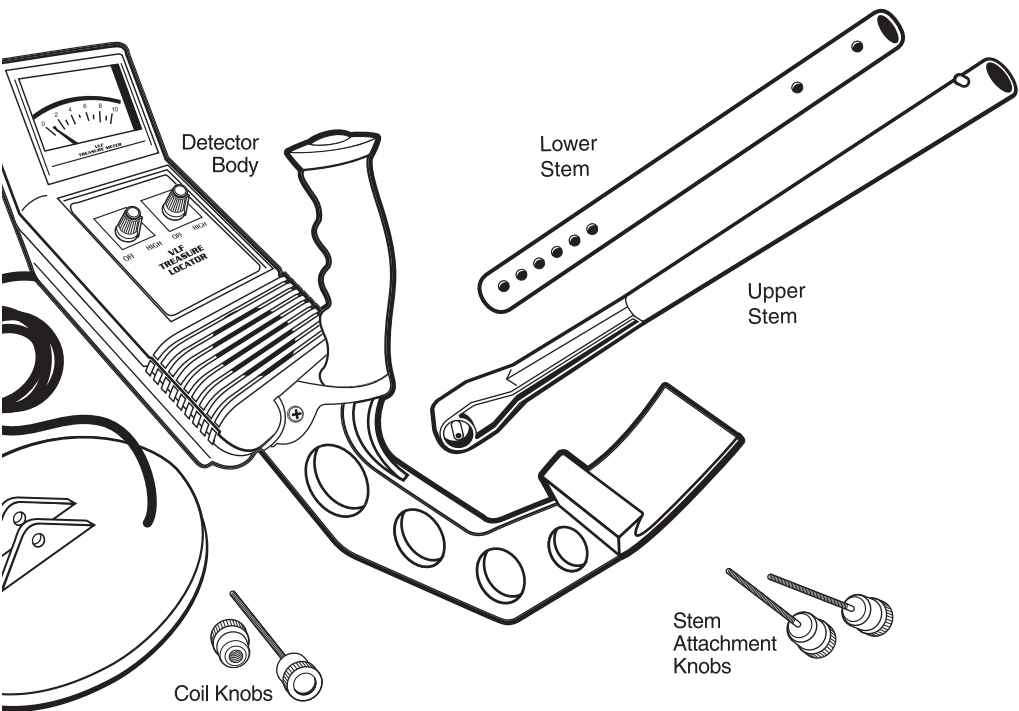
To assemble your VLF Treasure Detector, follow this simple procedure:

- 1) Unpack your detector and find the following parts:
 - Detector Body with armrest, search coil and attached coil knob.
 - Upper Stem (thicker silver rod with many holes)
 - Lower Stem (thinner silver rod with plastic extension and button)
 - Two (2) stem attachment knobs (in the plastic bag)

Searchcoil
Cable

Searchcoil





Detector Body

Lower Stem

Upper Stem

Coil Knobs

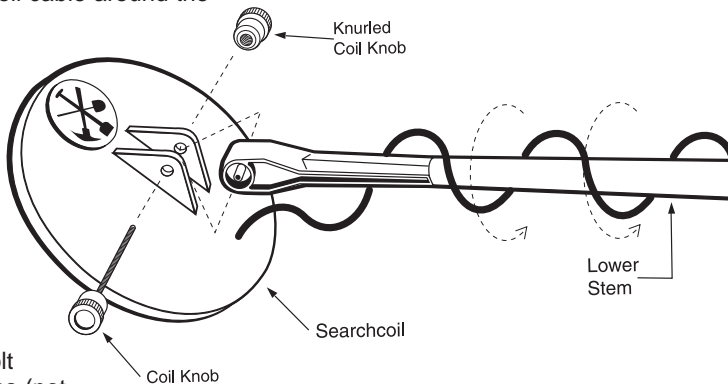
Stem Attachment Knobs

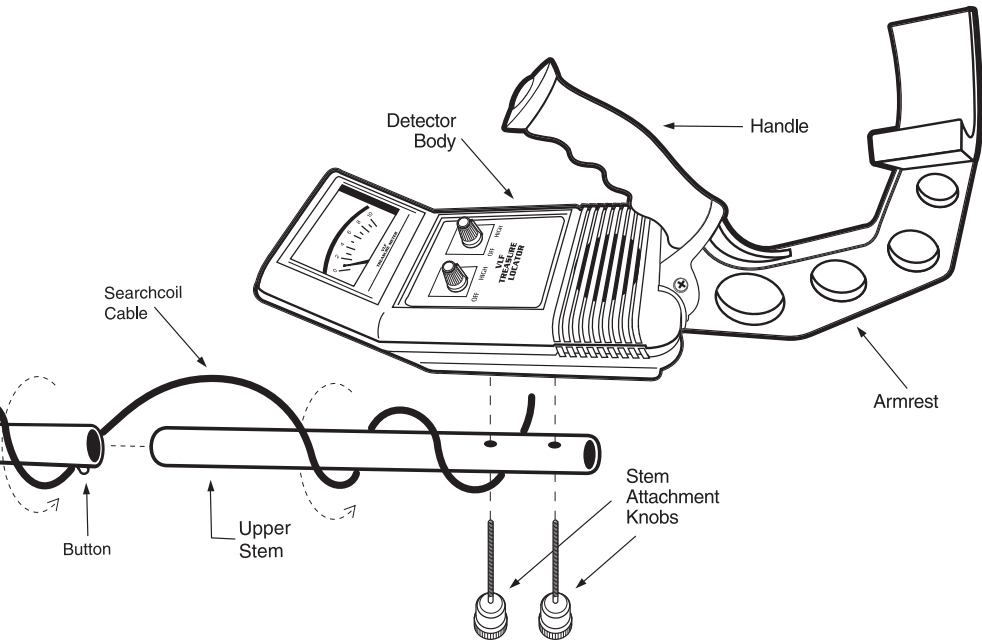
I. ASSEMBLY: *(continued)*

- 2) Attach the Upper Stem to the back of the detector body with the two knobs supplied.
- 3) Depress the button on the lower stem and push the lower stem into the upper stem.
- 4) Wind the search coil cable around the two-piece stem.
- 5) Leave some slack in the cable as you reach the end of the lower stem.
- 6) Attach the coil to the lower stem using the attached coil knob.
- 7) Install two (2) 9-volt ALKALINE batteries (not

supplied). There are two battery doors on the back of the detector body.

IMPORTANT: Use 9-volt ALKALINE batteries ONLY.





II. HEIGHT ADJUSTMENT

Stand with the detector in one hand, with the coil on the ground, a few feet in front of you. If the stem is not set at a comfortable height, push the button on the low rod to change the length. If you make a large adjustment, wrap the cable again, starting at the top.

CAUTION: Do not pull on the cable where it connects to the detector body. It is permanently attached; too much force could damage the connection.



III. FIND TREASURE!

Your Treasure Detector will detect all kinds of metal from iron relics, to coins and household items, to precious metals like gold and silver.

IV. TREASURE METER

Your meter moves when metal is detected. It shows the strength of the signal and helps with pinpointing the object. Watch for the location where the meter jumps strongly to the right; that's where the target is.

V. AIR TESTING

You can test your detector by passing coins over the search coil. Remember that coins found on the ground will lie flat; so pass the coins parallel to the search coil for optimum results.

CAUTION: *There is metal in the floors, ceilings, walls and counters of most homes. There is metal in tables. Keep the detector away from metal. Do not attempt to place coins on*

the floor of your home or apartment; the metal in the floor will interfere with the signal.

It is best to have a friend hold the detector body, with the search coil suspend in the air, while you pass the coins.

If you turn the detector on and turn the Trash Eliminator switch fully clockwise (to the right), you will hear different tones. Pass a penny, nickel, dime, quarter, nail, screwdriver and pull-tab. Notice the different sounds, or no sound at all! Turn the Trash Eliminator to many different settings, and sometimes notice different tones for the same object.

VI. TUNING and GROUND BALANCING

Forget it!

With your VLF Treasure Detector, it's automatic.

Be it hard ground, a sandy beach, rocks, or the black sand terrains common to gold prospecting locations, your VLF adjust itself to tune out naturally occurring mineral deposits, and only detect the metal objects you are looking for.

VII. CONTROLS

- **POWER/SENSITIVITY**

(the left knob)

The detector is off in the full counter-clockwise position (to the left). Turn it on with a click to the right. The further clockwise, the higher the sensitivity. If you get static or noise, then lower the sensitivity a bit.

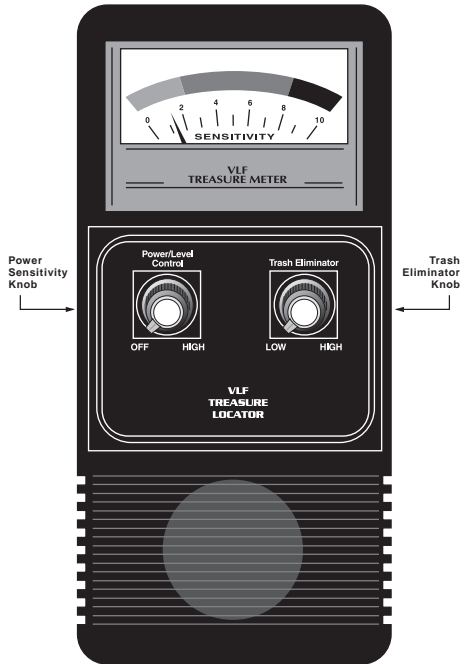
- **TRASH ELIMINATOR**

(the right knob)

OFF Position

In this position, all different metals will be detected.

One tone will sound for all types of metal.



• TRASH ELIMINATOR

Applications:

- 1) Relic Hunting: Historical objects are usually made of iron. Keep the Trash Eliminator turned off for best detection of relics.
- 2) Household Applications: Find property markers, lost keys, etc.
- 3) Gold Prospecting: Did you know that only 1% of the world's gold supply has been mined? The other 99% is still out there waiting for you to find it!

ON Position

Click on to cause your detector to emit different sounds for different types of metals.

Turn the knob clockwise (to the right) to eliminate more trash items.

- **TRASH ELIMINATOR** (*continued*)

Applications:

- 1) Coin-shooting
 - 2) Jewelry-Hunting
- Small iron objects like nails, will not be detected.
 - Trash items, like pull-tabs, will be identified with a broken tone.
 - Silver and copper items (like some coins), will be identified with a high tone.

CAUTION: *some metal objects have a metallic signature very similar to trash.*

- **TRASH ELIMINATOR** (*continued*)

A nickel can sound very similar to a pull-tab. At different Trash Elimination settings, you can sometimes notice a slight tone difference between the two. There are several different types of pull-tabs and bottle caps. It takes practice to notice the difference.

Gold rings are almost impossible to distinguish from many pull-tabs. If you're looking for gold rings, be used to digging. You'll kiss a lot of frogs before you find your first prince. Perseverance furthers!

IS THERE A PROBLEM WITH MY DETECTOR?

(Novice Detectorist's TROUBLESHOOTING GUIDE)

SYMPTOM	PROBABLE CAUSE	SOLUTION
Weak signal, constant Chatter, low sensitivity, or no signal.	<ul style="list-style-type: none">• No batteries• Dead batteries• Wrong batteries.• Interference	<ul style="list-style-type: none">• Check batteries.• Use 9-volt ALKALINE batteries only.• Turn sensitivity down
Cannot detect coins or the floor.	Interference from metal in the floor.	<ul style="list-style-type: none">• Try it outdoors
No sound for some objects	Trash eliminator is on. Small iron objects are purposely eliminated	<ul style="list-style-type: none">• Turn trash eliminator off.
If just does not work.	Did you pull the cord loose from the detector?	<ul style="list-style-type: none">• None
Poor performance operating near other detector or power lines.	<ul style="list-style-type: none">• Interference from other detector or other electromagnetic field.	<ul style="list-style-type: none">• Keep two detectors at least 20 feet apart.• Keep away from power lines

Be Environmentally Conscious and Respect Other's Property

- Use small digging tools. (a garden spade is preferable to a coal shovel.)
- Fill in holes.
- Obtain permission before hunting on private or government property.

TREASURE HUNTER'S CODE OF ETHICS:

1. Respect the rights and property of others.
2. Observe all laws, whether national, state or local.
3. Never destroy historical or archaeological treasures.
4. Leave the land and vegetation as it was. Fill in your holes.
5. All treasure hunters may be judged by the example you set.
6. Always obtain permission before searching any site. Be extremely careful while probing, picking up, or discarding trash items. And ALWAYS COVER YOUR HOLES!

FIRST TEXAS PRODUCTS, LP 1-YEAR LIMITED WARRANTY

This product is warranted against defects in workmanship or materials under normal use for five years from date of purchase to the original user. Liability in all events is limited to the purchase price paid. Liability under this Warranty is limited to replacing or repairing, at our option, any Bounty Hunter Detector returned, shipping cost pre-paid, to First Texas Products, LP. Damage due to neglect, accidental damage or misuse of this product is not covered by this warranty.

Copyright ©2002 by First Texas Products, L.P.

All rights reserved, including the right to reproduce this book, or parts thereof, in any form, except for the inclusion of brief quotations in a review.

Published by First Texas Products, L.P.
Bounty Hunter® and VLF® are registered trademarks of First Texas Products, L.P.

www.detecting.com



First Texas Products, LP
1100 Pendale Road
El Paso, TX 79907
(915) 633-8354