

SECURITY SOLUTIONS

FISHER RESEARCH LABS

IMI
scope

**PORTABLE WALK-THROUGH
METAL DETECTOR**

OPERATION MANUAL

REVISION LEVEL 3.0



OPERATION MANUAL
Fisher Labs M-Scope®
Portable Walk-Through Metal Detector

U.S. and E.U. Patents Pending

Copyright© 2011 First Texas Products L.L.C. All Rights Reserved.

TABLE OF CONTENTS

Features	pg. 3
Introduction	pg. 4
M-Scope Expanded View	pg. 4
Assembly	pg. 5
Disassembly	pg. 10
Strap Installation	pg. 12
Getting Started	pg. 14
Basic Start Up Operation	pg. 15
Detection and Alarms	pg. 16
Advanced Functions.....	pg. 18
Diagnostic Screens	pg. 23
LED Testing	pg. 24
Tips	pg. 25
Specifications.....	pg. 27
Warranty.....	pg. 27
Accessories	pg. 28

FEATURES:

- Modular construction for rapid deployment
- 40 Hours of battery life on a single charge
- Intuitive three-zone detection and alarm status indicators, on both entry and exit sides
- Audio alert with adjustable volume control
- Intuitive, user-friendly control panel
- Self-diagnostic
- Adaptable to virtually all environments and conditions
- 100 sensitivity settings with password protection
- Adjustable rate alarm, transit and target counters records key statistical data
- Ease-of-use facilitates “split cognition” freeing operator to monitor surroundings

WARNING

Some objects may not be detected because of their composition, size, and location on the subject. If an undetected object passes through the M-Scope, that object may be used as a weapon in a secure area to cause injury or death.

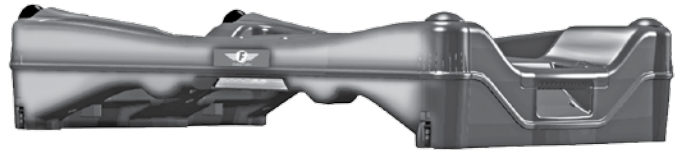
WARNING

The M-Scope should only be used by persons trained and who have a thorough understanding of its operation. If the user of a M-Scope does not follow the operating manual and if the M-Scope is not set up properly, it can allow metal objects to pass through undetected.

WARNING

Metal detectors have been associated with EMI (electromagnetic interference), although much research indicates they pose no threat to pacemakers, medical implants and pregnant women. However we recommend that any patient or pregnant person concerned about EMI be screened by alternative methods.

CONTROL PANEL

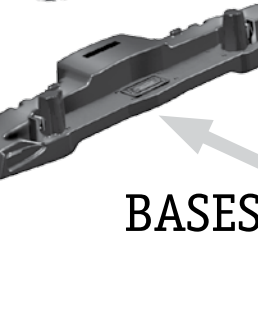


INTRODUCTION

Fisher Labs is excited to introduce the M-Scope® Portable Walk-Through Metal Detector! The M-Scope®, the world's most versatile walk-through metal detector, brings Fisher's expertise, innovation and reputation for quality metal detection solutions to the critical and demanding security market.



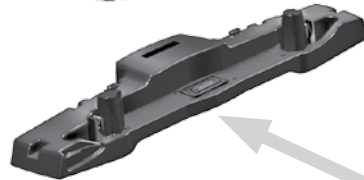
3 RECEIVER PANELS



3 TRANSMITTER PANELS



BASES



ASSEMBLED CONFIGURATION



TOTE CONFIGURATION



M-SCOPE® PORTABLE WALK-THROUGH METAL DETECTOR

ASSEMBLY INSTRUCTIONS

STEP 1 Begin by selecting the most even and level surface on which to assemble your M-Scope unit. Remove the transport straps and un-stack all the components. **FIG. A** Place the two INTERCHANGEABLE base units on the selected ground as shown in **FIG. B**.

FIG. A

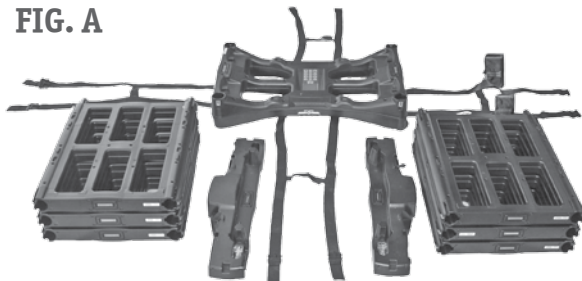


FIG. B



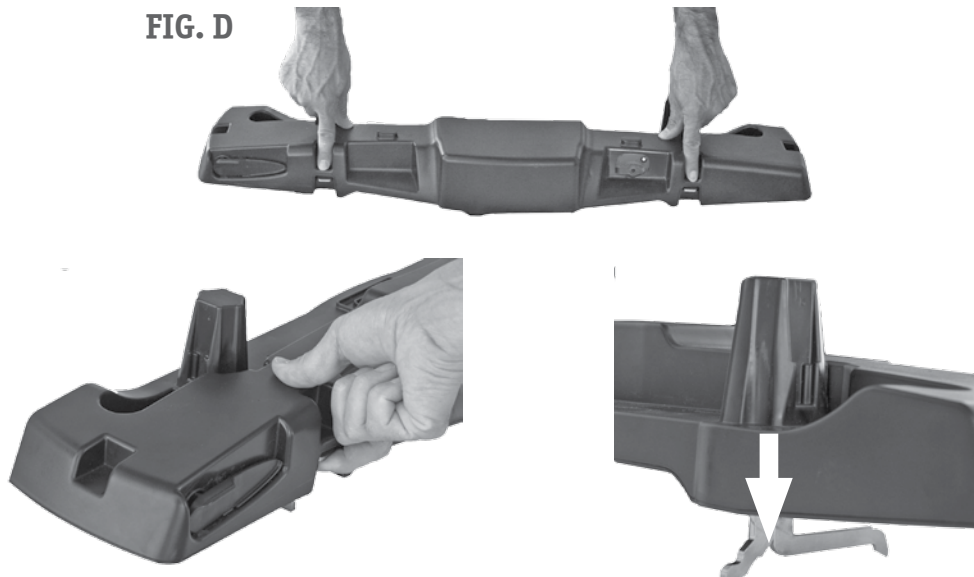
STEP 2 Place control unit on top of the two bases. **FIG. C** - This step ensures that the bases are properly spaced, and parallel to one another. Remove the control unit and proceed to the next step.

FIG. C



STEP 3 *If your M-Scope is equipped with the leveling option proceed with step 3, if not, move to step 4. We recommend that bases with the leveler option be used on uneven surfaces.* Hold the base assembly level, and engage the push-button levelers by depressing each of the four lever actuators' pushbuttons in turn. **FIG.D** - Depressing one of these pushbuttons releases its leveler leg so it can drop down as far as necessary to reach the floor below. Releasing the pushbutton locks the leg in place. Releasing the leveler legs while the control unit and bases are level to the ground allows the legs to automatically extend to the proper length necessary to hold the M-Scope security gate assembly level. *The leveler legs can make up for low spots in the ground's surface up to two inches deep.*

FIG. D



STEP 4

The side walls might topple over when they are not connected to each other with the Control Panel, so before assembling the walls, make sure that the bases will be stable enough to build on. (Once the unit is fully assembled, the walls and Control Panel will form a stable structure). There are adjustable outrigger supports built into the sides of the bases that are used to increase the width of the bases' stances while the walls are being raised. This makes the walls less prone to tipping over. Adjust one of these outriggers, pull it out part way, until it is free to rotate. There are several positions at which the outrigger will lock into place when fully extended. Rotate the outrigger to the point where the outrigger's foot is in contact with the ground, then pull the outrigger all the way out, and try turning it slightly in either direction until it locks in place in the best position available. Follow this the process with the M-Scopes four outriggers. **FIG. E**

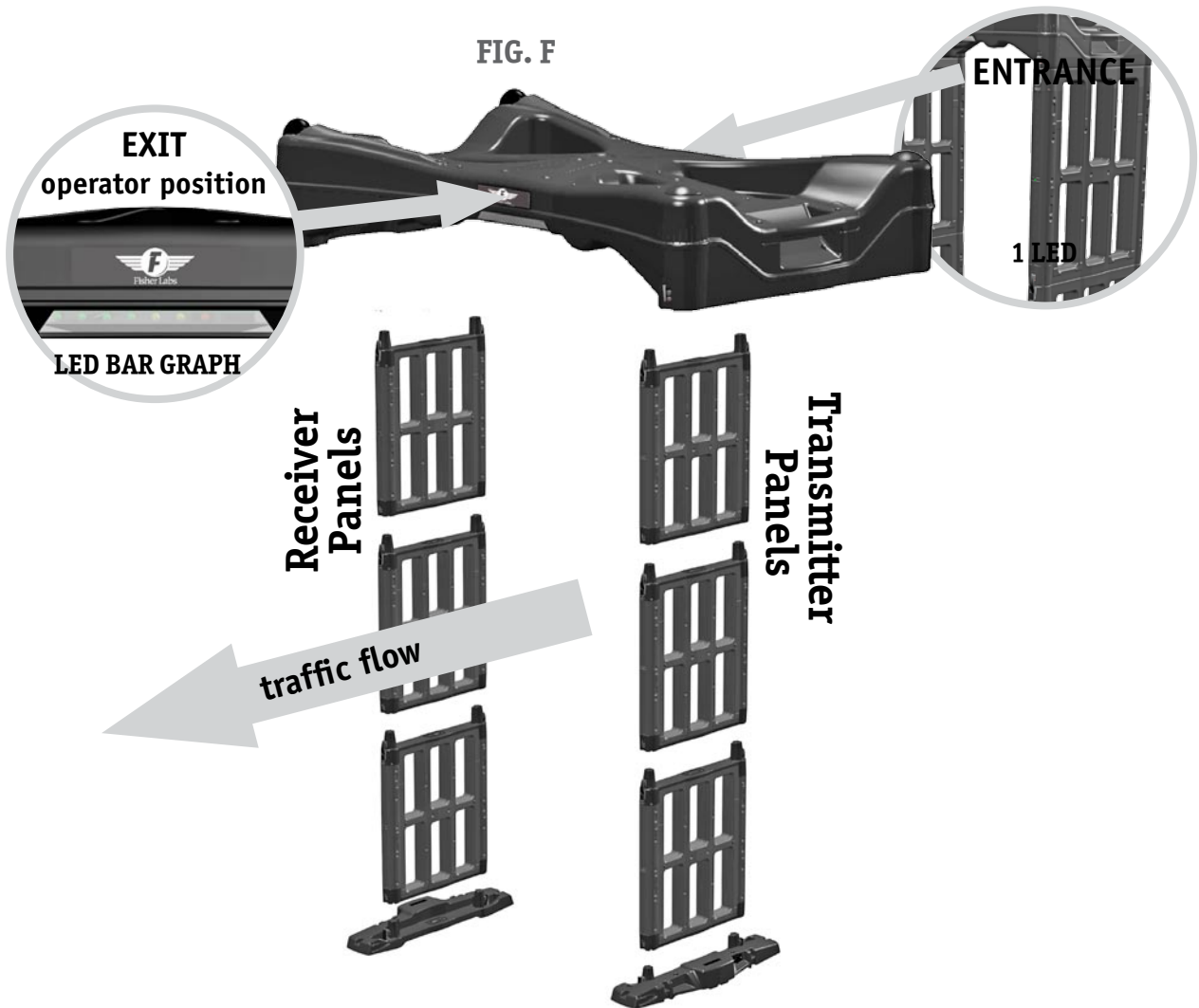
FIG. E



STEP 5

At this point you must decide which side of the portal will serve as the entrance and which will serve as the exit. The operator's position is the exit, which is the side facing the LED bar graph and Display Screen **FIG. F.** - *Note that the transmitter & receiver panel positions are determined by the orientation of the control panel.* When facing the exit/operator position, the right-hand wall will consist of three transmitter panels, and the left-hand wall will consist of three receiver panels. *Incorrect placement of the control unit & panels will prevent the panels from connecting and locking correctly!*

FIG. F



FACING THE EXIT / THE OPERATOR POSITION

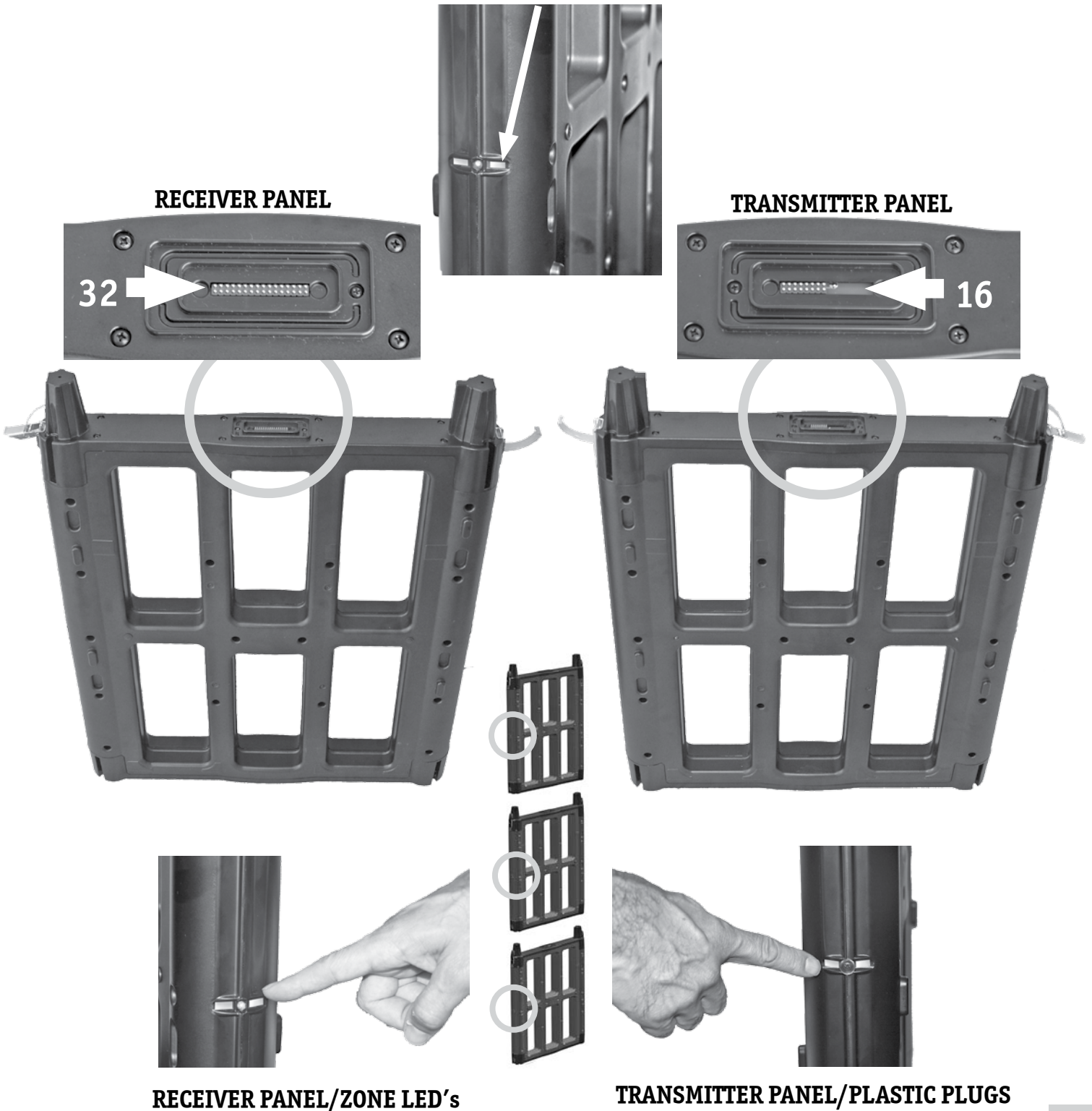
STEP 6

There are two types of panels in the M-Scope system. They are called 'Transmitter' and 'Receiver' panels. Here are several ways in which you can easily tell them apart. **FIG. G**

- a. Receiver panels have 32 spring loaded contact pins
Transmitter panels have 16 spring loaded contact pins
- b. Receiver panels have one LED in each edge of the panel.
Transmitter panels have no LEDs; just plastic caps.
- c. Receiver panels have white labels on the exit side.
Transmitter panels have red labels on the exit side.

FIG. G

**WHITE STRIP/RECEIVER OR RED STRIP/TRANSMITTER
(next to the LED lights)**



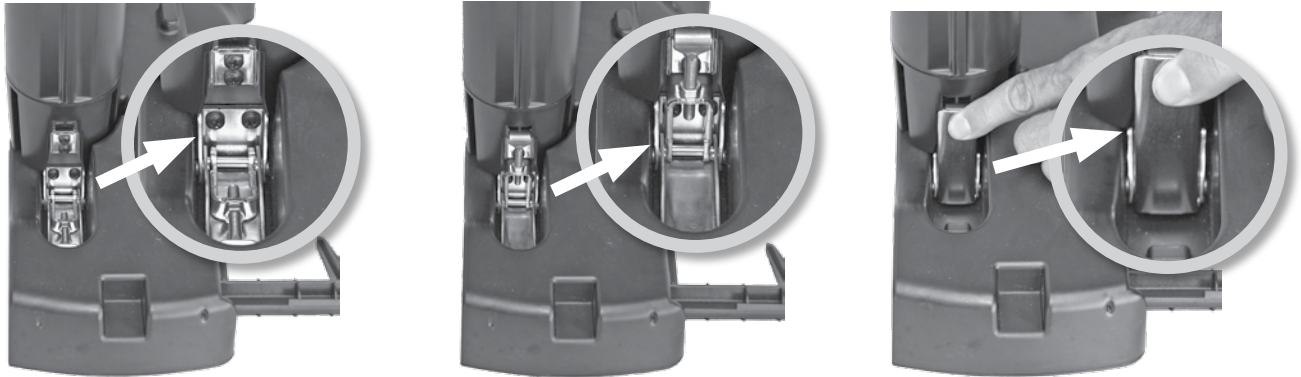
RECEIVER PANEL/ZONE LED's

TRANSMITTER PANEL/PLASTIC PLUGS

STEP 7 Place a Transmitter Panel on one base and a Receiver Panel on the other base. Fasten the latches to secure the side panels to the bases. **FIG. H**

base draw latches

FIG. H

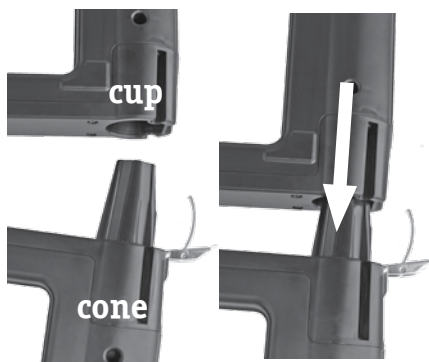


STEP 8 Then stack the two remaining Receiver Panels on the receiver side (Panels with LEDs). Repeat on the other side. Fasten Panels with latches. If the latches will not engage, then Transmitter and Receiver panels are mixed in the same stack. Ensure that all Transmitter panels are on one side, and all Receiver panels are on the other side.

The latches attached to each side panel are designed to prevent mixing the Receiver-Side with the Transmitter-Side. The latch is keyed such that the latches on the Receiver-Side will not engage on the Transmitter-Side. And the latches on the Transmitter-Side will not engage on the Receiver-Side.

When the MScope is disassembled and stored into the transportable cube-configuration, the latches are designed to retract and lie flat against the panel. If the latch does not retract, you risk snagging it during transport and damaging the latch and plastic panel. Order replacement part # LATCHHOOKTX (transmitter-side) or LATCHHOOKRX (reverse-side) if new latches are required.

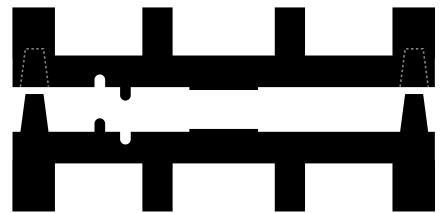
panel draw latches



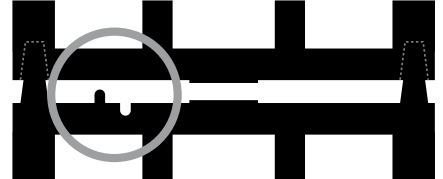
MATING PANELS are "keyed" on Revision Level 3.0 MScopes only.

If mating panels interfere and do not close, then Revision Level 3.0 Panels are being mixed with earlier designs.

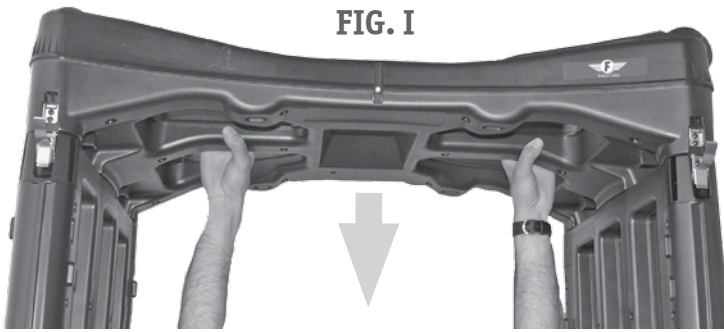
CORRECT



INCORRECT (Do not mix with earlier design)

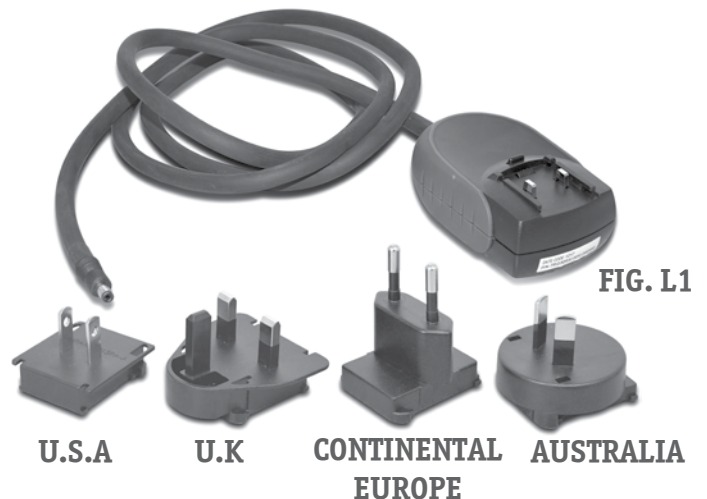
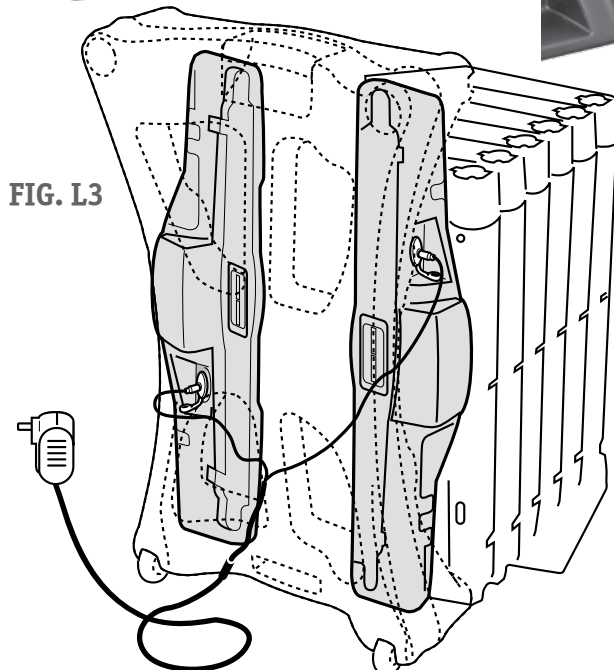
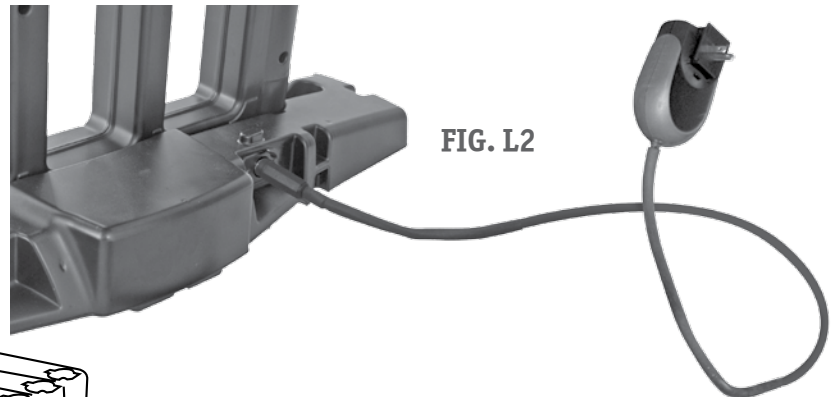
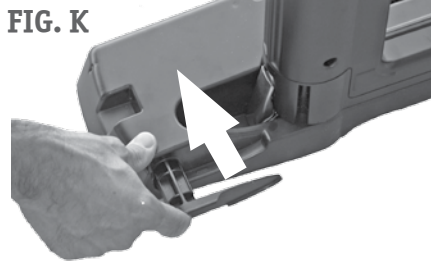


STEP 9 Place the Control Panel on top with the wheels over the receiver side (with white labels and LEDs). Latch the Control Panel to the side panels. If the latches will not engage, then the Control Panel is installed backwards: The Control Panel will fit onto the side panel even if incorrectly oriented 180° but the latches will only snap together if the Control Panel is correctly oriented. **FIG. I**



STEP 10 If you are not tall enough to assemble the unit as described in steps 7 and 8, you can use a small ladder or stepstool, or you may assemble the walls with just two of the panels. Fasten the top panels to the control unit forming a structure that looks like a table **FIG. J** - Carefully lift this assembly onto the existing walls, and fasten the remaining latches. Avoid putting stress on the joints between the panels and the control unit by keeping the panels parallel and straight.

STEP 11 Push the outriggers back into the bases. **FIG. K - ASSEMBLY IS COMPLETE.** Connect the appropriate AC adaptor to the power supply. Snap in to secure fit; the other adaptors are not used. **FIG. L1** - While the MScope is fully assembled, the power supply may be connected to either of the two bases. There are two batteries, one in each base. There is only one power supply; connect it to either base. The single power supply will charge both bases, regardless of whether the MScope is powered on or off, as long as the MScope is fully assembled **FIG. L2**. - If the MScope is disassembled, and you wish to charge both batteries simultaneously, use the Y-Cable supplied. **FIG. L3**

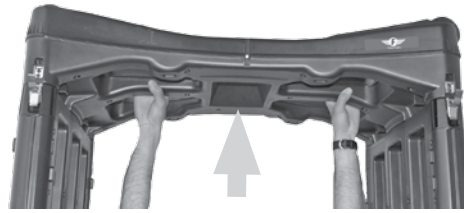


DISASSEMBLY INSTRUCTIONS

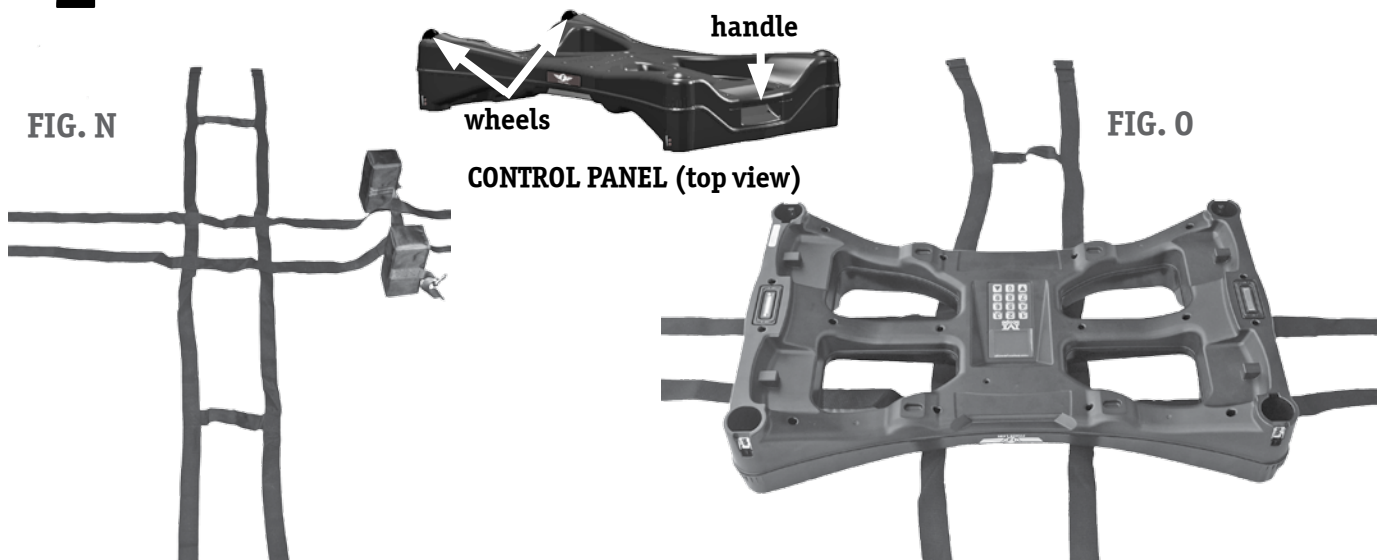
- STEP 1** The M-Scope should be powered down (turned off) prior to disassembling the unit, or prior to disconnecting or swapping any of the transmitter and receiver panels. Re-extend the outriggers as in step 4. Undo the control unit's latches and remove the control unit. **FIG. M** - If you are unable to reach the control panel, undo the latches connecting the top and middle panels, and carefully lift the two top panels together with the control unit, and set it down. Remove the panels from the control unit, and set them aside.



FIG. M



- STEP 2** Lay out the transport straps on the spot where you will stack the modules for transport. **FIG. N** - Place the control unit on top of the straps, with the wheel side down. **FIG. O**



- STEP 3** Disassemble the remaining panels and set them aside. **FIG. P** - Reinsert the outriggers into the bases. **FIG. Q**

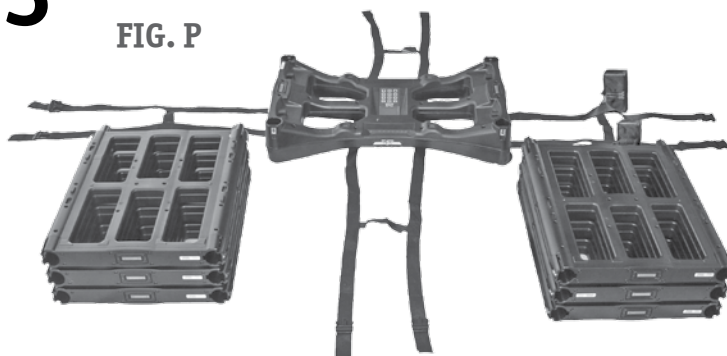
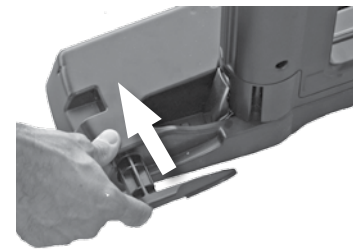


FIG. P

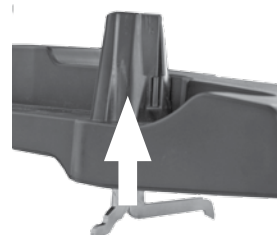
FIG. Q



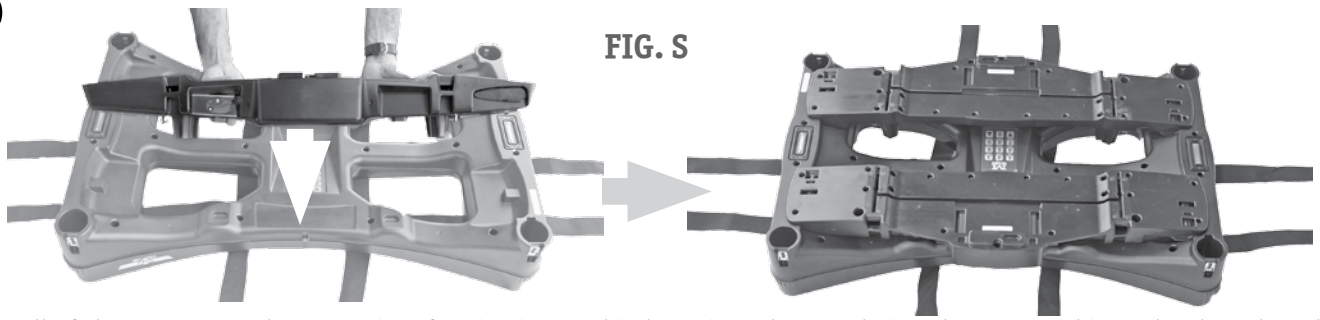
- STEP 4** If you have the optional leveler proceed with step 4, if not proceed to step 5. Push each of the four leveler legs all the way into the base while holding down their respective actuator pushbuttons, and continue holding them in until you release the actuator pushbuttons. **FIG. R** - The legs will stay down once the actuators are released.



FIG. R



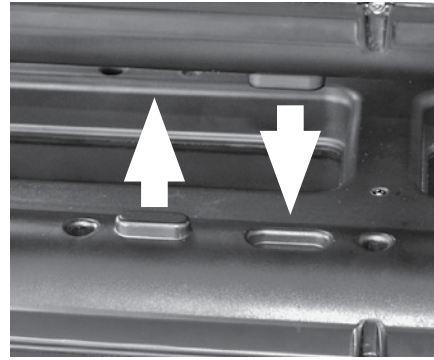
STEP 5 Turn the bases upside down and place them on the control unit. **FIG. S**



STEP 6 All of the components have a series of projections and indentations that are designed to nest within each other when the components are stacked together for transport. These are called the 'Stacking Features'. They keep the components from sliding around within the stack when they are strapped together for storage or transport. Make sure the bases are positioned so their stacking features nest on the control unit securely. **FIG. T**



FIG. T

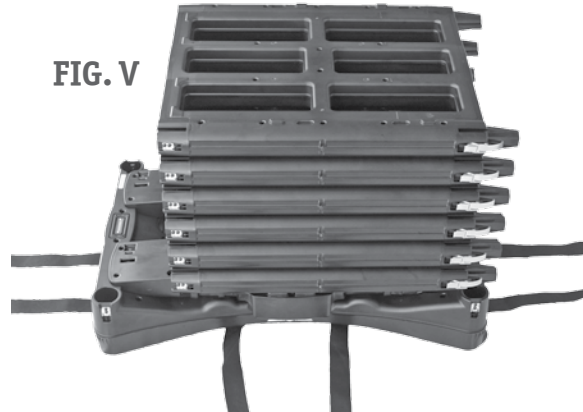


STEP 7 Stack the panels on top of the bases such that the cones are nearest to the wheel ends of the control unit. **FIG. U** - Make sure that their stacking features are firmly engaged such that the panels, bases, and control unit all nest together snugly. **FIG. V**

FIG. U



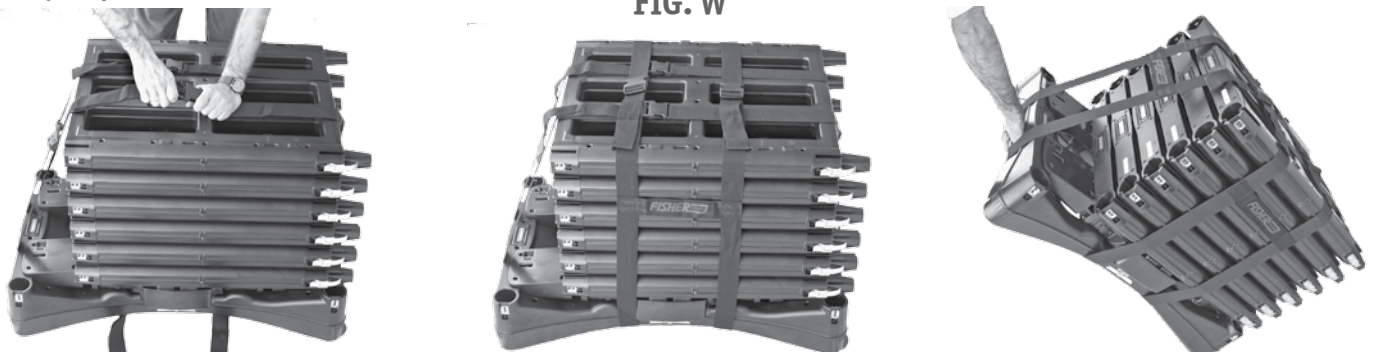
FIG. V



SEE EXHIBIT A ON PG. 12 & 13 FOR STRAP INSTALLATION INSTRUCTIONS

STEP 8 Snap all six buckles and pull straps tight. Stand it up on its wheel end. **FIG. W - THE M-SCOPE IS READY FOR TRANSPORT AND STORAGE.** Exercise caution when standing the unit up on its end. The sudden shift in weight may cause the unit to rock away from you.

FIG. W



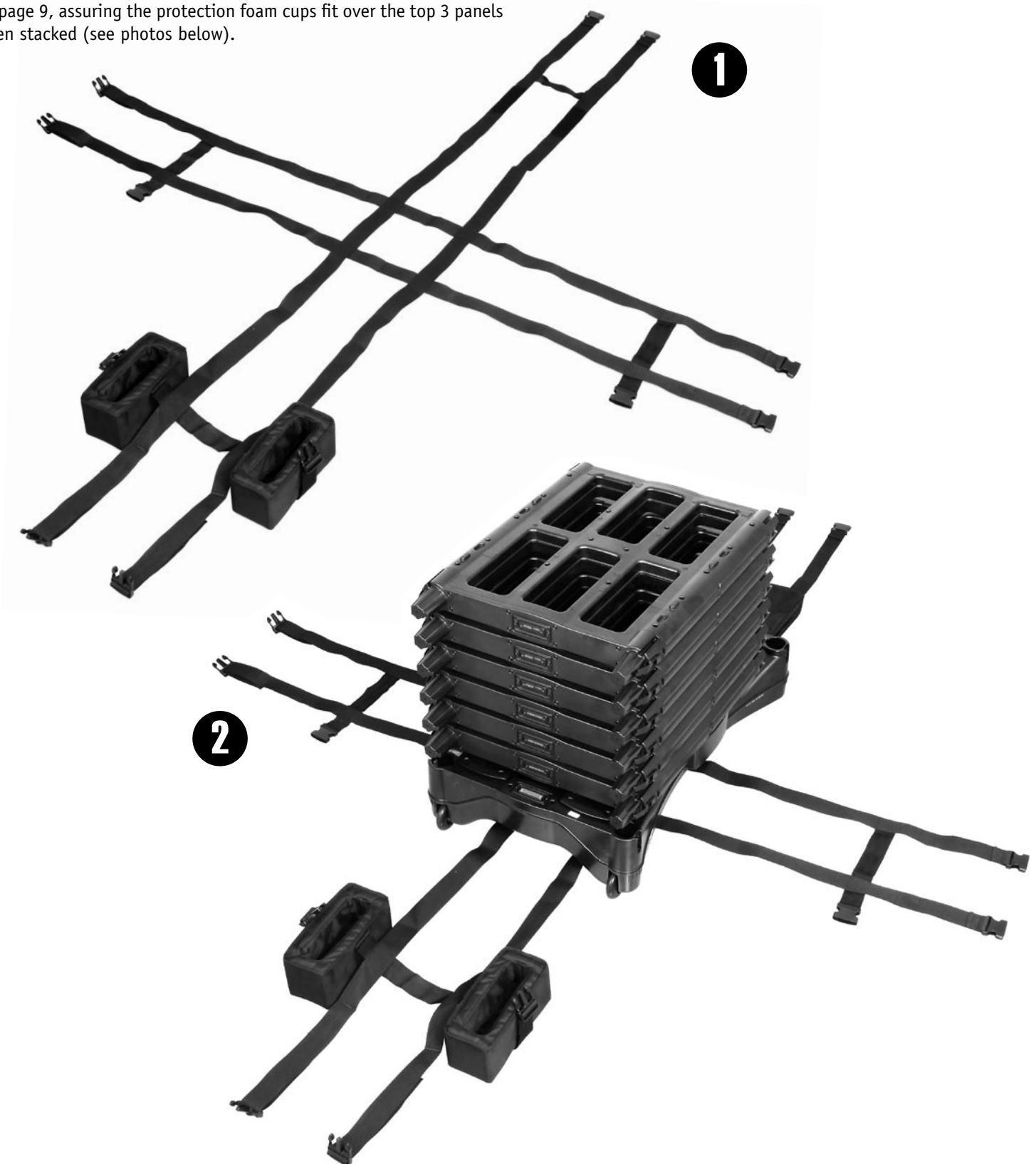
If your car is too small to accommodate the entire unit in one block, simply remove the straps and load the components wherever there is room for them. The entire M-Scope can be loaded into the back seat of a small car. You may wish to unstack the components and load them individually if the entire unit is too heavy for you to lift by yourself. The M-Scope weighs about 85lbs, which is very light for a security portal, but too heavy for most people to safely lift, unaided.

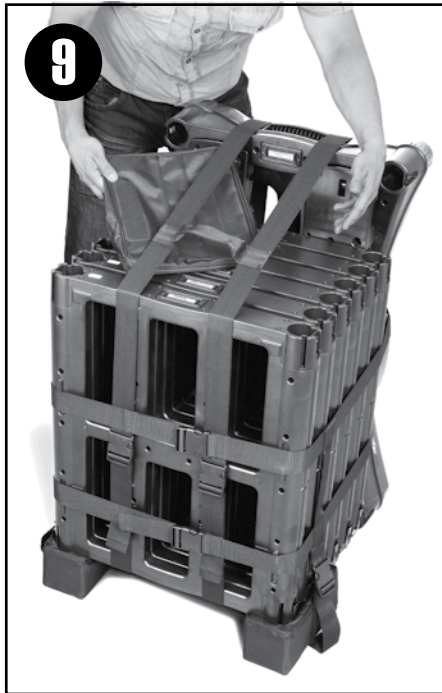
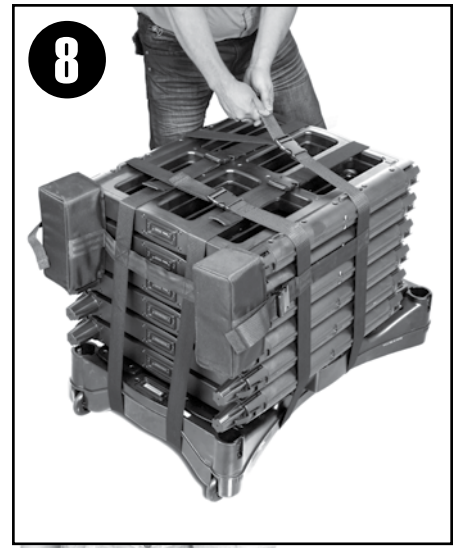
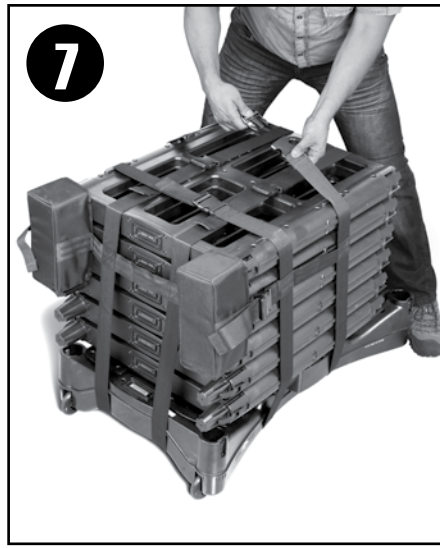
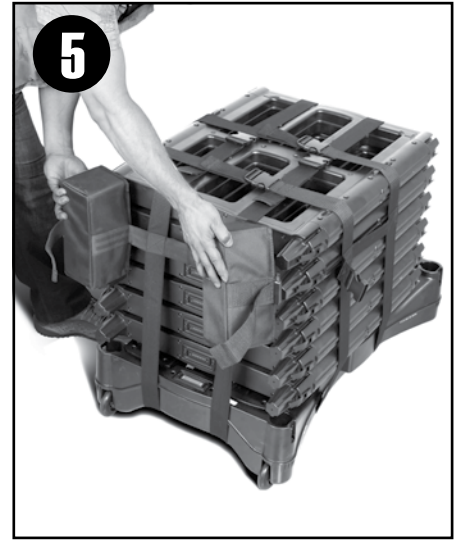
STRAP INSTALLATION INSTRUCTIONS

Transport Strap with Protective Foam Cups

Your MScope portable metal detector is equipped with a new Transport Strap. This strap has protective foam cups that will absorb impact occurring while shifting the collapsed device to stand up on end.

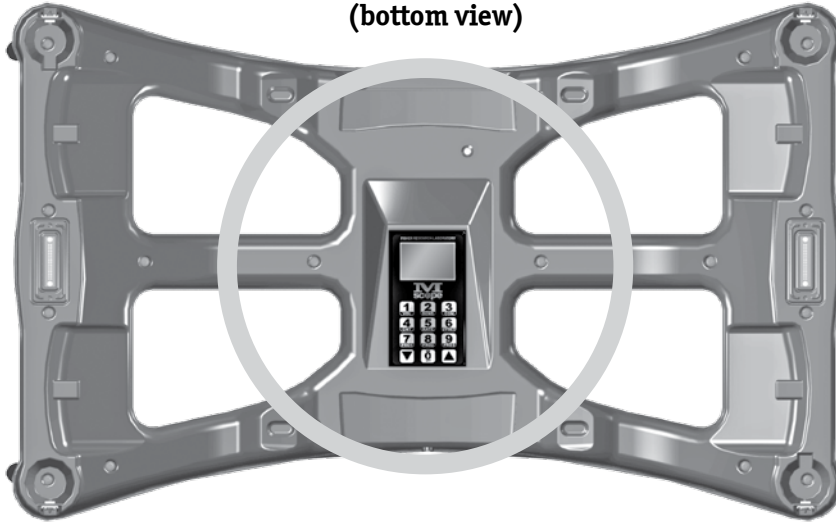
Follow the normal Disassembly Instructions of your operation manual on page 9, assuring the protection foam cups fit over the top 3 panels when stacked (see photos below).



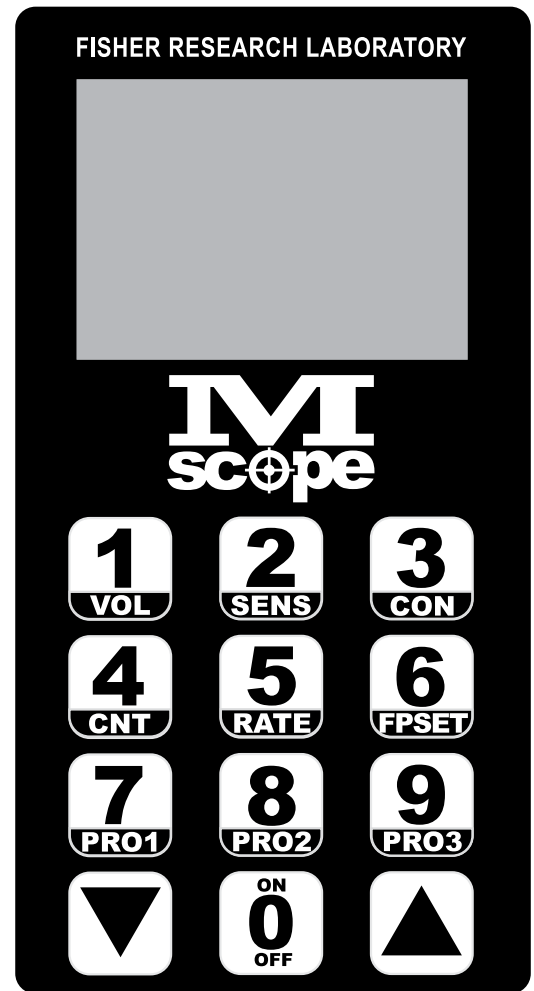


GETTING STARTED

CONTROL PANEL
(bottom view)



KEYPAD



All of the M-Scope's commands are entered through the twelve-button keypad on the control unit. The two up/down arrows are essentially single function buttons. The other ten buttons labeled 0 through 9 are all multi-function buttons. Multi-function buttons are annotated with corresponding abbreviations. The following is a list of the complete expressions for those abbreviations.

DIGIT	EXPANDED ABBREVIATION	ABBREVIATION
0	Shut down, [On/Off], Exit	On/ Off
1	Volume menu	VOL
2	Sensitivity menu	SENS
3	Contrast menu	CON
4	Counter menu	CNT
5	Rate Alarm menu	RATE
6	Factory Presets	FPSET
7	User Presets 1	PRO1
8	User Presets 2	PRO2
9	User Presets 3	PRO3

! WARNING

The M-Scope should only be used by persons trained and who have a thorough understanding of its operation. If the user of a M-Scope does not follow the operating manual and if the M-Scope is not set up properly it can allow metal objects to pass through undetected.

! WARNING

Some objects may not be detected because of their composition, size and location on the subject. If an undetected object passes through the M-Scope that object may be used as a weapon in a secure area to cause injury or death.

BASIC START UP OPERATION

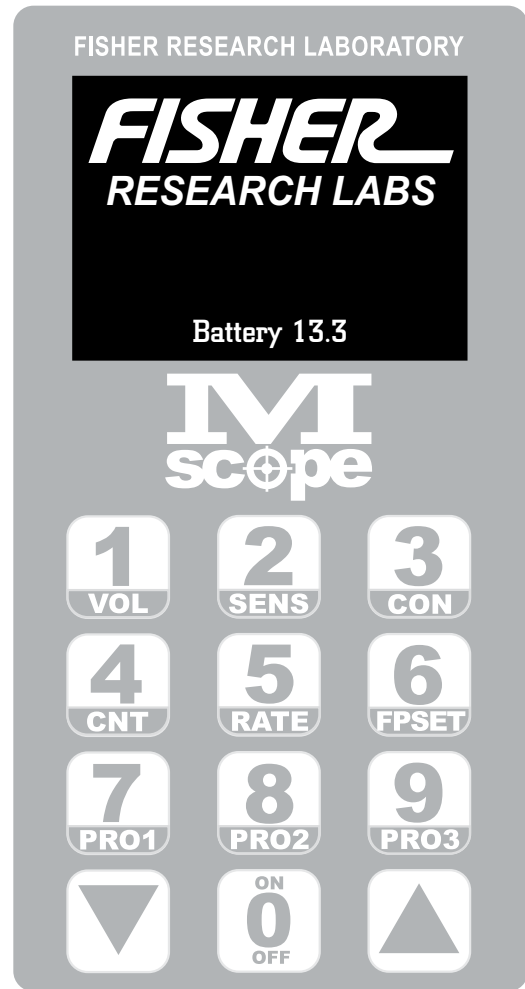
STEP 1 Turn the unit on by momentarily pushing the on/off [numeral 0] button on the control panel keypad. The unit will power up and begin a self diagnostic check.

STEP 2 The LCD will display the Title Screen and the battery voltage during the self-check. The unit will check its seven LED lights on the LED bar graph one at a time, starting with the first (lowest) green one, through the yellow ones all the way up to the last (highest) red one, then back down to the first green one again. After this check is completed, the bar graph display will enter its normal mode, continuously indicating the strength of the received signal it is measuring. Some of this signal may be a representation of various types of electromagnetic noise, and interference.

During the self check, the multi-colored, triple zone, alarm indicator LEDs as well as the two multi-colored ready indicator LEDs, will glow red momentarily. Once the self check ends satisfactorily, they will all change to green.

When the M-Scope passes its self check successfully, the unit becomes ready to detect targets.

The user selections will be described elsewhere in this document under the Advanced Functions heading.



Most often, the operator will simply turn the unit on, and use the settings already stored in memory. For first time use, the unit will be set at the Factory Preset setting corresponding to numeral 6/high sensitivity level (for more information - see "Presets" pg.16). **Note that these settings may not be appropriate for an operators unique environment and specific security requirements. A thorough understanding of the M-Scopes operation, and most notably, sensitivity settings, is required for effective, accurate metal detection.**

The M-Scope is Multi Language Capable:

To change languages: From a fresh start (the Mscope turned off)

1. Press the on button (0) and then rapidly press the down-arrow button and then the up-arrow button.

(This sequence will bring the unit into the first screen of the diagnostics mode.)

Pressing the 0 button again will bring the unit into the main screen of the diagnostics mode. While in this screen:

Pressing the number 1 button will change the menu into English / Pressing the number 2 button will change the menu into German.

Pressing the number 3 button will change the menu into French / Pressing the number 4 button will change the menu into Spanish.

After selecting the desired language pressing the 0 button will change the unit into the normal operating menus.

The M-scope is the normal operating mode at this time.

When the Mscope is shut down the language and other selected options are saved to memory.

DETECTION AND ALARMS

Sensing Subjects in the M-Scope

The metal detection alarm decision-making process begins the moment a subject breaks any one of the six invisible beams of infrared light inside the M-Scope's passageway; typically one of the three beams at the portal's entrance. *Note that the LED bar graph continuously displays the received signal's strength, but the alarm will not be triggered until something enters the security gate and passes through one of the sensors' light paths.*



Going too Fast

Once the M-Scope detects something in the passageway, it begins measuring the elapsed time between when the first beam is crossed upon entering the passageway, and when the second beam is crossed upon exiting the passageway. The measurement of the time it takes for a subject to pass through the gate tells the system how fast the subject was going through the passageway. If the subject exceeds the M-Scope's selected speed limit; the LCD displays "Speed Violation!", the audio alert sounds, the zone lights flash red, and the bar graph and ready LEDs flash several times. These events get logged in the system's internal counters. (for more information - see "Rate Alarm Menu" pg.20)

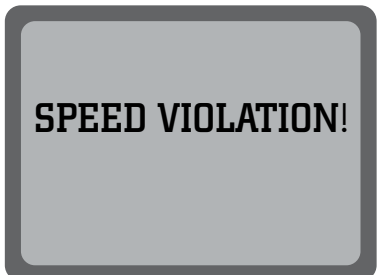
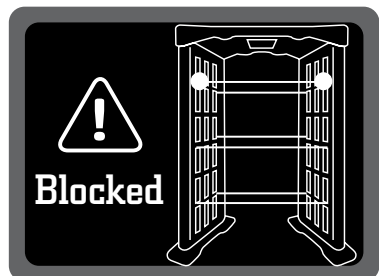


Photo Diode Blocked

If any of the six light beams remains blocked for more than several seconds, the unit goes into the "Photo Detector Blocked" alarm mode, sounding audio alert, and a special LCD screen and displaying the word "Blocked!" along with a graphic display, indicating whether the corresponding Photo Detector sensor channel is receiving a full strength signal. *This feature can be very useful when troubleshooting the unit.*

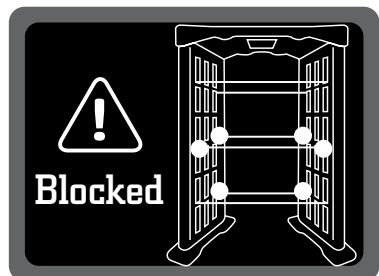
A special graphic illustrates the location of the blocked beam to help identify the source of the malfunction. Each beam consists of an emitter and detector, one on each side. The graphic shows a white bubble in the location of the affected emitter/detector pair and these areas should be inspected for damage or debris.



TWO DIODES BLOCKED

Finding Metal Targets Without Speed Violations

While the portal is occupied, the zone lights stay green, the status light glows yellow, and the ready lights glow red. The LED bar graph reflects the received signal strength actively. If none of the three zones received a target signal strong enough to exceed the current alarm threshold, the zone and ready lights will turn green again when the subject comes out. This event, like all the other events, will be logged automatically, and the M-Scope will be ready to scan the next subject.



SIX DIODES BLOCKED



Zone Indication

The M-Scope has three zones. If one or more of the zones detect target signals strong enough to exceed the alarm threshold, the audio alert will sound, and the LED bar graph will flash several times. The zone indicator light corresponding to the zone where the strongest signal was received will glow red. The zone indicator light for any other zone that detected a signal strong enough to exceed the alarm threshold will repeatedly change its color between red and green at a rate that will tend to make the indicator light appear yellow. The zone indicator light for any zone that did not receive a threshold crossing signal, will continue to glow green. No more than one zone indicator can glow red at a time. No more than two can glow yellow (alternating red and green) at a time. Any combination of green zone indicators is possible.

After finding target(s), the audio alert will continue to beep and the alarm indicator lights will continue to flash for about five seconds before the M-Scope indicates readiness to accept the next subject with a steady green ready light.

Key Stuck Alarm

When any key is held down for more than twenty seconds, the bar graph LEDs go dark, the zone and ready indicators turn red, and the LCD screen shows the words "Key Is Stuck!". It also shows a representation of the keypad itself with the properly functioning keys shown with dark numerals on light backgrounds, whereas the stuck key shows light numerals on dark background.

Shut Down Sequence

To shut down the M-Scope security gate, press the shut down key [numeral 0]. The LCD will show the words "SHUTDOWN STARTED." You must press the numeral 1 key within five seconds of the shutdown screen's appearance to complete the shut down process, or else the system will return to the normal operating mode. The LED bar graph will illuminate singly, in descending order, marking the stages of the shutdown process.

The M-Scope has an automatic self-shutdown safeguard that will prevent complete battery drainage. If the battery level is too low, the unit will automatically shut down and will remain off until the battery is sufficiently charged, or the battery charger is plugged in.

Battery Low Alarm and Recharging Methods

The M-Scope is powered by two sealed lead acid batteries, one in each base. The battery voltage is continuously indicated on the bottom of the display. While operating, numbers in the range of 11.0 to 14.0 volts will display. You may recharge the batteries, either while the MScope is operating, or turned off, at any status of discharge. The typical life span of these lead acid batteries is about three years. Battery life span may be shortened by exposure to extreme temperatures or infrequent use (long periods of storage without charging).

When the battery voltage falls below 11.0 volts, the MScope automatically shuts off. An audible alarms sounds and the display flashes a warning.

There are two ways to charge the MScope:

- 1. Assembled:** plug power supply into either base. Both batteries will charge simultaneously, whether powered on or off.
- 2. Disassembled:** use the supplied Y-Cable. (Item YCABLE-DC)

For fully discharged batteries, refer to the table below for guidance on charging time required after specific periods of use:

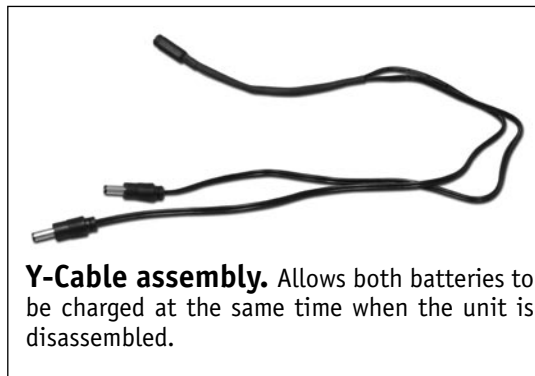
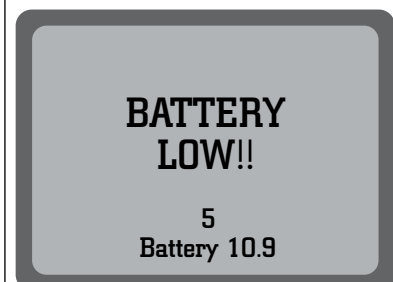
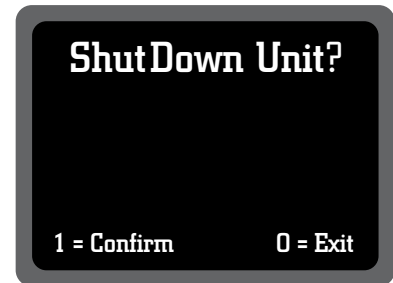
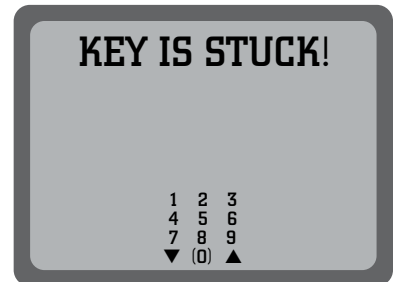
Hours of use	Recharge hours required
8 – 12 hrs	2 – 3hrs.
13 – 24 hrs	4 – 7hrs.
25 – 36 hrs	8 – 10hrs.
36 – 40 hrs	10 – 12hrs.

Battery life is approximately 40 hours of operation, before a recharge is required.

Outside Interference

If one or more of the M-Scope's panels are not ready to detect targets, it could be due to outside interference. A panel not ready to detect is indicated by the zone indicator LED glowing red, and the ready LEDs on the entrance and exit sides of the M-Scope control panel glowing red. The unit will then be ready to detect targets when the panel and ready LEDs turn green. This should only take a few seconds.

If the M-Scope is set up in an area where interference occurs, the unit may not function properly. Try moving the unit to an area where the panel and ready LEDs glow green, and there is an acceptable level of ambient signal as indicated by the LED bargraph.



Y-Cable assembly. Allows both batteries to be charged at the same time when the unit is disassembled.

ADVANCED FUNCTIONS

You may exit any of these menu modes by pressing the exit key [numeral 0], or by waiting for the ten second keyboard timeout, after which the M-Scope will automatically revert to normal operating mode. Hold the up/down arrow keys for more than one second for rapid increment or decrement.

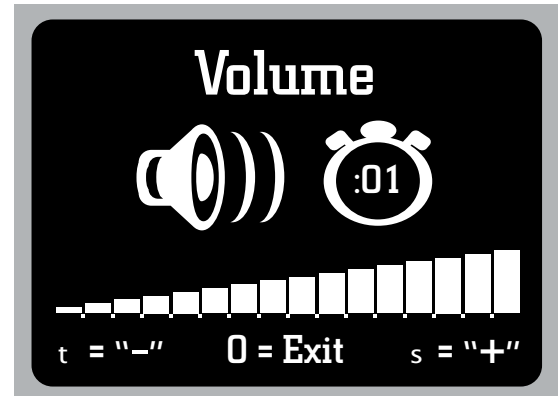
1. VOLUME MENU

Programmable "Target Detected!" Alarm Length.

When an object is detected, the M-Scope displays "Target Detected!" and sounds an audible alarm. The default duration for this alarm is one second. This feature allows this alarm to be adjusted to the user's preference of one, two, three or four seconds.

Instructions:

Access the Volume Menu by pressing "1" on the keypad and the Volume menu will display as shown at right. Press "1", "2", "3" or "4" to change the number of Seconds an alarm will sound when a metal object is detected. The stopwatch symbol displays the current setting. Press "0" to exit the Volume Menu and the M-Scope is ready to detect targets using the displayed setting.



Programmable Alarm Pattern

When the M-Scope detects metal it sounds an audible alarm. This alarm is an adjustable beeping pattern the M-Scope generates. With this feature, there are eight unique alarm patterns to select from.

Instructions:

Access the Volume Menu by pressing "1" on the keypad and the Volume menu will display as shown above. Press "7", "8" or "9" to change the alarm beep pattern. There's no visual indication of your choice but the pattern you select is heard while the Volume Menu is displayed. Press "9" to advance to the next available choice and the selection is immediately heard. Continue pressing "9" to advance through additional choices until a satisfactory alarm pattern is found. Press "7" to go back to a previous choice, multiple times if necessary. Pressing "7" or "9" more than eight times repeatedly will cycle through all of the available choices and will start again at the beginning of the list. Press "8" at any time to reset the alarm pattern to a steady tone and start again at the beginning of the list of available choices. Press "0" to exit the Volume Menu and the M-Scope is ready to detect targets using the selected setting.

Alarm Volume

Adjust the Audible Alarm Volume

Instructions:

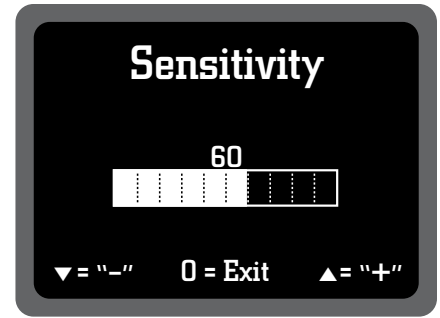
Access the Volume Menu by pressing the "1" button. While in the Alarm Menu, the currently selected volume setting is displayed graphically and can be heard. Press the Up Arrow to increase the volume or press the Down Arrow to reduce volume. Press "0" to exit the Volume Menu and the M-Scope is ready to detect targets using the selected setting.

KEYPAD LEGEND

	PRESS	
Programmable "Target Detected" ALARM DURATION	1 VOL :01	TARGET DETECTED: ONE SECOND
	2 SENS :02	TARGET DETECTED: TWO SECOND
	3 CON :03	TARGET DETECTED: THREE SECOND
	4 CNT :04	TARGET DETECTED: FOUR SECOND
Programmable Alarm PATTERN	7 PRO1	PREVIOUS ALARM SOUND RAPID PULSE TONE
	8 PRO2	CONSTANT ALARM SOUND CONSTANT TONE
	9 PRO3	NEXT ALARM SOUND PULSE TONE
ALARM VOLUME		DECREASE VOLUME
		INCREASE VOLUME
EXIT	0 ON OFF	EXIT MENU

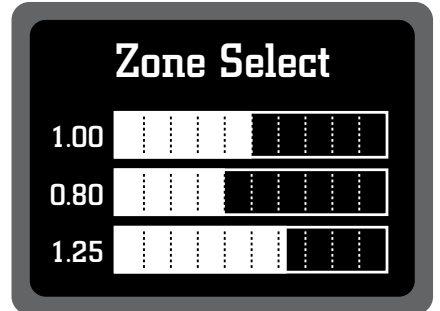
2. SENSITIVITY MENU

The sensitivity setting determines the unit's ability to detect metal objects. The higher the sensitivity, the more responsive it will be to relatively small metal concentrations. To adjust the sensitivity, press the sensitivity key (numeral 2). Use the up/down arrows to adjust the sensitivity setting to any number from 1 to 99. Sensitivity settings should be selected and adjusted based on your facilities particular security needs and operating environment. The M-Scope will retain your sensitivity settings in memory when you turn the power off.



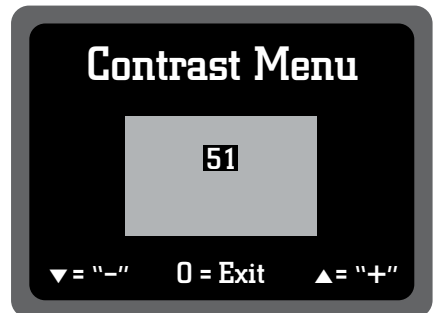
Zone Settings

It is possible to adjust the individual zone sensitivities to fine tune the performance of the M-Scope. Once in the sensitivity menu, press any key other than the Up, Down or 0 button. This will display the Zone select screen. The three bar graphs and numerical reading represent the settings for the TOP (top bar graph), MIDDLE (middle bar graph), and Bottom (bottom bar graph) zones. These settings range from 0.00 (which corresponds to a zone being completely ignored) to a value of 2.00 (which corresponds to a zone having twice the sensitivity as set by the Sensitivity Menu). A value of 1.00 corresponds to a zone having an equal setting as the sensitivity menu. Pressing numerals adjusts the settings for the zones. Pressing numeral 1, decreases the sensitivity for the top zone. Pressing numeral 2, resets the top zone to a value of 1.00. Pressing numeral 3, increases the sensitivity to only the top zone. In similar fashion, buttons 4,5 and 6 adjust the zone settings for the middle zone. Buttons 7,8 and 9 adjust the settings for the bottom zone. Pressing the Up, Down or 0 numeral, returns to the Sensitivity Menu.



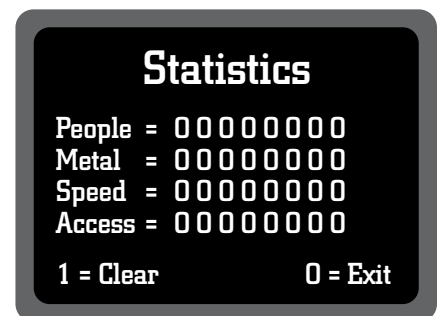
3. CONTRAST MENU

To adjust the LCD display contrast press the contrast key (numeral 3) when the M-Scope is in normal operating mode. Use the up/down arrows to adjust the contrast. Contrast settings are automatically saved into memory, as well as the user adjusted settings. Press numeral 0 (of wait ten seconds) to exit the contrast menu.



4. COUNTER MENU / STATISTICS

To view the counters' contents, press the counter key [numeral 4] while the M-Scope is in normal operating mode. The LCD will display the four counters' names [people counter, metal target counter, speed violations counter, access alarm counter] and display the values stored in them. To reset the counters, press the numeral 1 key. Press numeral 0 [or wait ten seconds] to exit the counter menu.



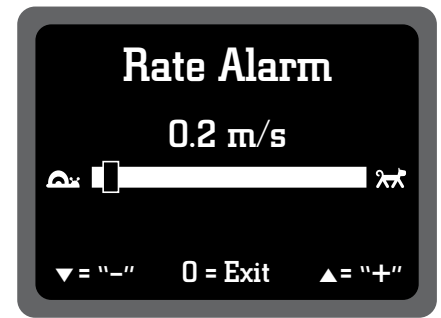
5. RATE ALARM MENU

To access the rate alarm menu, press the rate key [numeral 5] while the M-Scope is in normal operating mode. The LCD will show the rate alarm setting. There are six possible speed settings including the disable rate alarm setting [i.e. 0.2m/S, 0.5m/S, 1.0m/S, 1.5m/S, 2.0m/S, Disabled]. All rates are expressed in meters per second. Use the Up/Down arrows to adjust the rate alarm setting. Press numeral 0 [or wait ten seconds] to exit the rate alarm menu. If the rate alarm is not set to DISABLED, a subject taking too long (more than 7.5 seconds) to exit the M-Scope will also cause a speed violation.

Entrance-Only Active Mode

While in the Rate Alarm Menu, a user can choose to set the M-Scope to an "Entrance-Only Active" mode. In this mode, the M-Scope alarms and counts people that enter the unit through the entrance only, and ignores those entering through the exit side of the unit. The "Entrance-Only Active" mode can be set by pressing the numeral 5 key while in the Rate Alarm Menu. "Entrance-Only Active" will be displayed in the rate alarm menu and on the title screen when powering the unit on. This function is useful in situations where there is an interest in screening people entering an event and but not screening or acquiring statistics (for example, people or target counters) when they are leaving.

To return to the normal operating mode (the alarm and counter are active when people enter through the entrance and exit), press the 5 key again, while in the Rate Alarm Menu.



6. ACCESS MENUS / PASSWORD PROTECTION

Access to adjustable parameters such as sensitivity and rate alarm settings, and to the statistics counters, may be password protected using the features found on the Access menu. Pressing the Down arrow key while the M-Scope is in normal mode opens the access menu. If the Access feature is enabled, meaning the system is currently under password protection, the LCD screen will prompt you to enter the current access code. The M-Scopes factory default access code is 01. The default access code will remain 01, until it is changed by a user.

- System will respond to an incorrect access code entry by displaying **code mismatch**.

- After each unsuccessful attempt, the system will display **Access Denied** and the event will be logged in the statistics counter under the Access alarm counter heading.

There are locations for storing four different access codes, for use by different individuals.

Location 1 is the Master 1 access code location.

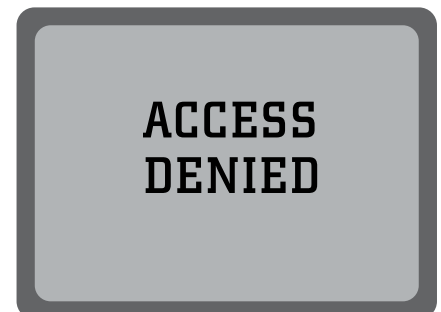
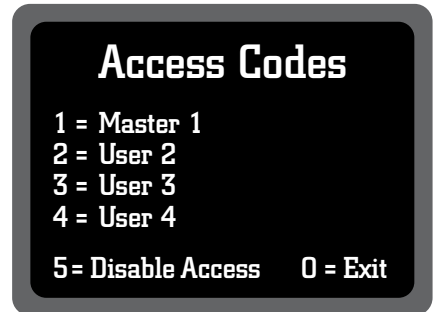
Whenever the M-Scope is password protected by Access enable, a Master level password is needed to access:

1. Change the sensitivity level
2. Access the counter menu
3. Change the rate alarm setting
4. Edit the access codes
5. Change/Access Presets

User level access codes allow changes to be made to the volume and contrast.

No access code is needed to turn on or off the unit.

When you open the access menu with a Master level code, you can choose between access enabled and access disabled, by pressing the numeral 5 key.



Access Menus / Password Protection (Continued)

Editing the access menu is the way to change access codes, and enable or disable the access protection feature.

To change an access code, open the Edit access menu, and then press the numeral key corresponding to the code location you wish to change. For example, press numeral 1 to change the Master 1 access code. Similarly, press the numeral 2 key to change the User 2 access code, etc. This will open the Reset access code screen.

Here is the User 2-reset access code screen.

Enter the new code. The code can be of any length from one through ten digits long. If no key is pressed within four seconds, the system will revert back to the Edit Access screen. Because there is no Enter key, and the code password length is not fixed, you must wait for the four-second timeout after you finish entering your new code.

Four seconds after entering the new User 2 code, the system will switch to the Re-enter access code menu, and prompt you to verify the new code by re-entering it.

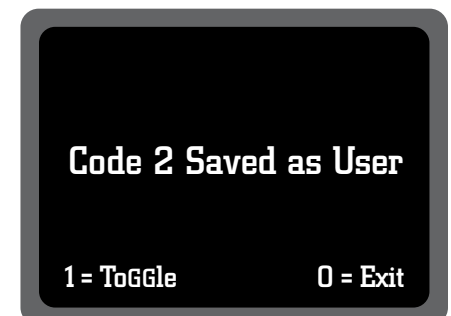
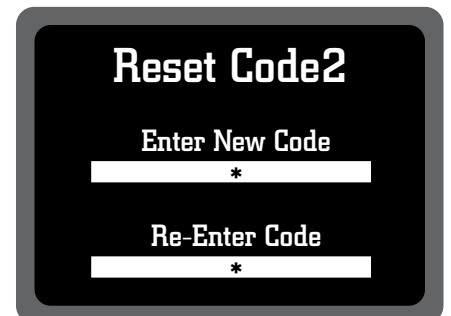
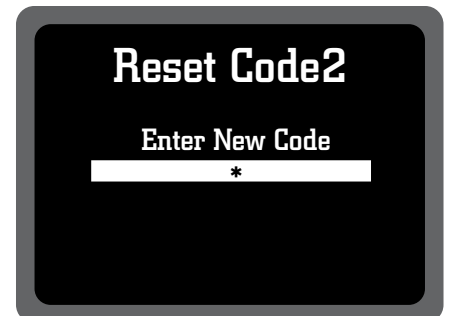
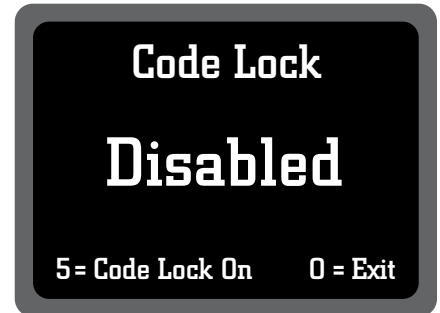
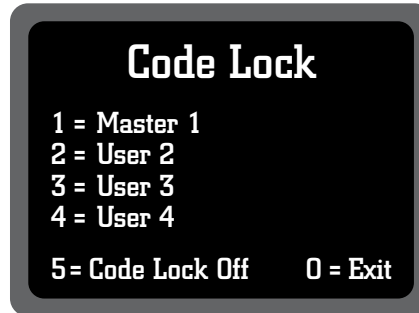
If the two entries do not match, the system will display **Code Mismatch** and return to the Reset access code menu after a four second pause.

After the new user code has been successfully entered and verified, the system will open the Code saved menu. This feature allows the status of the newly stored access code's user to be assigned either User or Master status. Each time the numeral 1 key is pressed, the code saved menu screen will alternate between displaying User and Master. User # 1 always has Master's status. Press the Numeral 0 key to return to the Edit access menu. Press numeral 0 [or wait ten seconds] to exit the Access menus.

Default Codes:

MASTER 1 = "01"
USER 2 = "1"
USER 3 = "2"
USER 4 = "3"

WARNING: Please protect your password. A lost password can only be reset with the assistance of the technicians at Fisher Labs.



PRESETS

The M-Scope's ideal group of settings may change with different users' individual preferences, or in different security applications. The M-Scope can store three separate groups of settings under the headings of User Presets 1, 2 and 3. These correspond to numeral keys 7,8 and 9 respectively. A fourth group of settings, called the Factory Presets, corresponds to the numeral 6 key. To configure the M-Scope to use any of these four Preset groups, simply press the corresponding numeral key when the M-Scope is in normal operating mode. For example, pressing the numeral 8 key will set the M-Scope to the configuration stored in User Preset 2.

When you receive your M-Scope, Presets 1, 2, 3 and the FP (factory Preset) will be saved to the following levels. Before using the M-Scope in any application, all target types and sizes of interest should be passed through the M-Scope to properly select the appropriate sensitivity settings. Read below if you would like to configure your own unique Presets.

FPSET (factory Preset)/ numeral 6:
(high sensitivity level)

MAIN SENS = 50
TOP ZONE..... = 1.00
MID ZONE = 1.00
BOTTOM ZONE..... = 1.00

Factory Preset

1 = Volume (03)
2 = Sensitivity (50)
3 = Contrast (51)
5 = Rate Alarm (04)

0 = Exit

PRO1 (memory #1)/ numeral 7:

MAIN SENS = 80
TOP ZONE..... = 1.30
MID ZONE = 1.00
BOTTOM ZONE..... = 1.80

Recalled Program

1 = Volume (03)
2 = Sensitivity (80)
3 = Contrast (51)
5 = Rate Alarm (03)

0 = Exit

PRO2 (memory #2)/ numeral 8:
(medium sensitivity level)

MAIN SENS = 45
TOP ZONE = 1.30
MID ZONE = 1.00
BOTTOM ZONE..... = 1.50

Recalled Program

1 = Volume (03)
2 = Sensitivity (45)
3 = Contrast (51)
5 = Rate Alarm (03)

0 = Exit

PRO3 (memory #3)/ numeral 9:
(low sensitivity level)

MAIN SENS = 20
TOP ZONE..... = 1.00
MID ZONE = 0.80
BOTTOM ZONE..... = 1.20

Recalled Program

1 = Volume (03)
2 = Sensitivity (20)
3 = Contrast (51)
5 = Rate Alarm (03)

0 = Exit

To assign a group of settings to one of the User Presets, adjust the all of the M-Scope's variables as discussed in the preceding instructions, and then press and hold the corresponding numeral key for at least one second to store the settings. This is similar to the way most car radio Presets are stored. Note: the Factory Presets cannot be changed.

If the M-Scope is password protected (Access enabled mode), the system will prompt the operator to enter in their password, or Access code. Changing the values in any of the three User Presets while the unit is in the Access enabled mode, requires a Master level access code.

Please contact the Fisher factory or your Fisher Sales Representative, or Distributor if you have not had technical training on accessing the diagnostic screens!

Diagnostics Screens

The M-Scope has a Diagnostic Mode that can be used to check the performance of its six Photo Detector channels, and of its three separate metal detector zones. It is also useful for exercising all of the system's various LEDs. This mode was not designed for M-Scope operators' use. Misusing it can't damage anything, so its operation is described below.

To enter the diagnostic mode, begin with the power to the M-Scope turned off. Turn the power on, and quickly press the down arrow key, then the up arrow key, then wait for the unit to complete its LED sequencing self test pattern. Each of these arrow key presses must be done within two seconds of powering on.

This is a diagnostics mode entry on screen. It displays the software version information. If you ever need to contact the manufacturer of your M-Scope to ask questions about, or report trouble with your unit, it will be very helpful if you include this information in your correspondence.

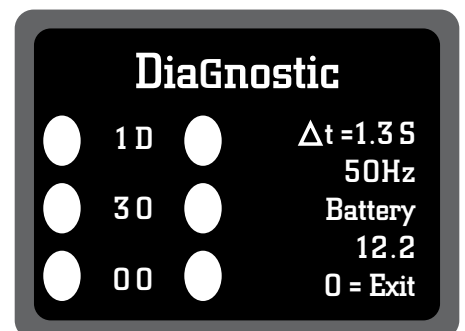
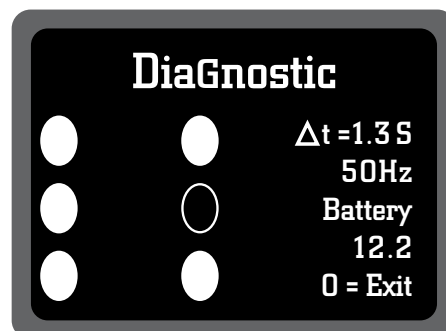
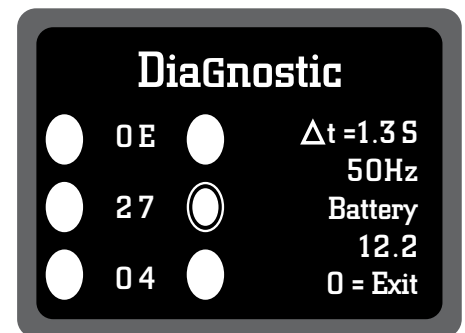
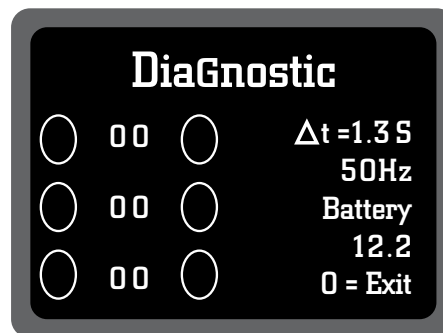
Press any key to exit the diagnostics mode entry screen.
Press the 0 key twice to return to normal operating mode.

The operational diagnostic mode screens show the six Photo Detector channels' states. The open, light colored ovals represent channels that are receiving a full power light signal. The filled in, dark colored ovals represent channels that are blocked, indicating that they are being occluded by an obstruction in the passageway. Channels receiving only partial illumination are depicted by partially filled in ovals.

The alphanumeric characters between the pairs of ovals represent the magnitudes of the three zones' most recent target measurements. These values are expressed in hexadecimal engineering units *, and they vary with the system's sensitivity setting.

Diagnostic mode target measurements are made by passing a target through the portal, across the Photo Detectors' paths, just as they are in normal mode. The time it takes the target to go through the Photo Detectors' paths is shown in units of seconds. This value is displayed as $\Delta t = xxS$.

*{Hexadecimal, also known as base sixteen, is a numbering system based on sixteen single digit characters. The character set contains the ten decimal characters 0 through nine, followed by the first six letters of the alphabet, A through F. The smallest two digit value in 'hex' is 00 and the largest is FF}.



LED Testing

The LEDs can be controlled manually while in the diagnostics mode by pressing the different numeral keys. Duration is approximately 4.5 seconds, then returning to diagnostic mode. The ready light will go green and the LED bar graph displays the signal strength.

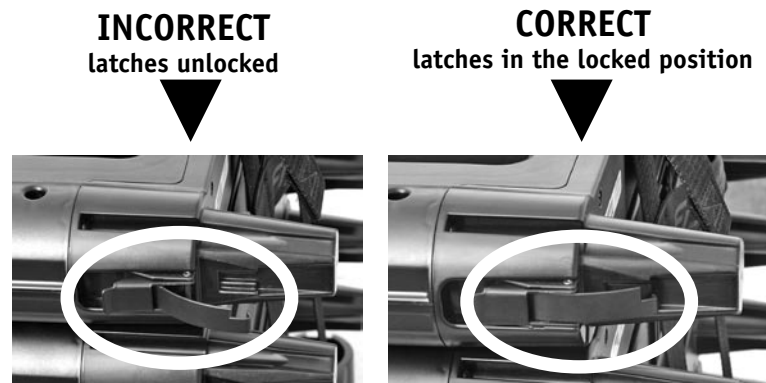
Numeral 1 key	Bar graph LED 1 on <i>GREEN</i>	All Zone ["RX"] Lights glow <i>GREEN</i>	Status Light OFF	Ready [go/stop] Light OFF
Numeral 2 key	Bar graph LED 2 on <i>GREEN</i>	Top Zone Light <i>GREEN</i> Middle Zone Light <i>GREEN</i> Bottom Zone Light <i>YELLOW</i>	Status Light OFF	Ready Light OFF
Numeral 3 key	Bar graph LED 3 on <i>GREEN</i>	Top Zone Light <i>GREEN</i> Middle Zone Light <i>GREEN</i> Bottom Zone Light <i>RED</i>	Status Light OFF	Ready Light OFF
Numeral 4 key	Bar graph LED 4 on <i>GREEN</i>	Top Zone Light <i>GREEN</i> Middle Zone Light <i>GREEN</i> Bottom Zone Light <i>GREEN</i>	Status Light OFF	Ready Light OFF
Numeral 5 key	Bar graph LED 5 on <i>YELLOW</i>	Top Zone Light <i>GREEN</i> Middle Zone Light <i>YELLOW</i> Bottom Zone Light <i>GREEN</i>	Status Light OFF	Ready Light OFF
Numeral 6 key	Bar graph LED 6 on <i>YELLOW</i>	Top Zone Light <i>GREEN</i> Middle Zone Light <i>RED</i> Bottom Zone Light <i>GREEN</i>	Status Light OFF	Ready Light OFF
Numeral 7 key	Bar graph LED 7 on <i>RED</i>	Top Zone Light <i>GREEN</i> Middle Zone Light <i>GREEN</i> Bottom Zone Light <i>GREEN</i>	Status Light OFF	Ready Light OFF
Numeral 8 key	Bar graph LEDs all OFF	Top Zone Light <i>YELLOW</i> Middle Zone Light <i>GREEN</i> Bottom Zone Light <i>GREEN</i>	Status Light <i>GREEN</i>	Ready Light <i>GREEN</i>
Numeral 9 key	Bar graph LEDs all OFF	Top Zone Light <i>RED</i> Middle Zone Light <i>GREEN</i> Bottom Zone Light <i>GREEN</i>	Status Light <i>YELLOW</i>	Ready Light <i>YELLOW</i>
Down arrow key	Bar graph LEDs all ON	Top Zone Light <i>RED</i> Middle Zone Light <i>RED</i> Bottom Zone Light <i>RED</i>	Status Light <i>RED</i>	Ready Light <i>RED</i>
Up arrow key	Bar graph LEDs all OFF	Zone Lights all <i>GREEN</i>	Status Light OFF	Ready Light OFF Toggles 50/60Hz selection
Numeral 0 key	Under system control	Under system control	Under system control	Under system control RETURNS TO NORMAL OPERATING MODE

TIPS & TROUBLESHOOTING

1. M-Scope batteries typically need to be changed after two or three years. Weak batteries may lead to several problems and error messages including blocked photo diodes. Many error messages can be corrected by recharging both batteries to a full charge. There is no danger of overcharging the batteries. If a new battery is needed, always change both batteries together as improperly balanced batteries can create error messages.
2. Unit comes on and then cycles off.
 - a. Check the battery voltage and if below 10.9 volts, recharge the batteries completely or hook up the charging unit (See Fig. L on p. 9). The voltage must be above the 10.9 range or the unit will not come on (See Fig. p. 15 and p. 17).
3. Unit tries to come on but won't power up.
 - a. Check the position of all the transmitter and receiver panels and make sure they are placed properly, and that the top is put on correctly. There are red and white strips under the latches that are used to help with the correct placement of the panels. (See Fig. G on p. 7)
4. Unit comes on but has no display on screen (blue screen).
 - a. Press the number 3 key on the control panel and then use the up arrow until the screen contrast returns the desired level, or
 - b. Press the factory preset key #6 or any of the user preset keys #7, 8, or 9.
5. Unit comes on but has a blocked photo diode.
 - a. Disassemble the unit and reassemble it placing the receiver panels in a different order. Make sure to check for proper placement of the bases. If the unit still shows a blocked diode but in another location the panel will need to be replaced.
 - b. Make sure that the unit is placed on level ground so that the panels are parallel with each other. We recommend that bases with the leveler option be used on uneven surfaces.
6. Unit is plugged into the charger but the voltage isn't going up.
 - a. Make sure the AC plug is plugged in to a live outlet, and that the charger output plug is pushed all the way in to the unit and making good contact. (See Fig. L on p. 9)
7. To switch unit to operate at 50/60 Hz mode.
 - a. In diagnostic mode (see page 23), press the up button which will allow you to toggle between 50/60 Hz. When operating in countries with 60 Hz AC power, the 60 Hz mode should be selected. Conversely, when operating in countries with 50 Hz AC power, the 50 Hz mode should be selected. 50 Hz will not operate correctly within a 60 Hz environment and vice versa.
8. Fisher recommends that all M-Scope units intended for outdoor usage be used with our Weather Protective Package option. This option includes a pop-up shelter that shields the M-Scope from direct sunlight (UV rays), and from rainfall. The "Weather Protected" option also includes a mat to keep the bases from getting excessively dirty.
9. Fisher recommends that when using a hand held weapons detector in conjunction with the M-Scope, the hand held operator stand approximately three feet or more from the M-Scope to avoid interference. Also two M-Scopes placed side by side should be separated by three feet or one meter to avoid electro-magnetic interference from each other.
10. Remember that the M-Scopes factory default access code is 01. Should you forget your code, you will need to contact Fisher Labs for instructions on how to reset the code (info@fisherlab.com). The default access code will remain 01 until it is changed by a user.

Tips & Troubleshooting (Continued)

- Remember that when storing or transporting your M-Scope, make sure that you secure the latches in their locked position to prevent them from bending or breaking.



- Remember the following tips for caring and maintaining your M-Scope:
 - Check the spring contact pins and boards for dirt and debris. It is best to clean them with a toothbrush and some alcohol.
 - When cleaning your M-Scope, use a damp cloth only.
 - Do not submerge the bases or allow the bases to be placed in an area where there is a chance they might get rain runoff.
 - Do not use the M-Scope in direct rain, see Tip 8 for information on Fisher's Weather Protective Package Option.
 - If your M-Scope does get wet, turn off immediately and disassemble. Wipe external surfaces dry and slightly shake individual parts to remove water from inside the unit. Allow the unit to thoroughly dry before you assemble and turn on.
If you are experiencing trouble, after you have allowed the unit sufficient time to dry, please contact the factory
- M-Scope is alarming indicating "Target Detected" even when people walk through with little amounts of metal.
 - Reset M-Scope sensitivity settings and test again. To lower overall sensitivity press # 2 then down arrow.
 - Many guns can be detected at an overall setting of 20% or less. A good calibration starting point is with the overall sensitivity at 20% and the three individual zones set to their midpoint (50%). Any calibration setting should be thoroughly verified by multiple passes through the M-Scope with the target metal at various points on the body. It should be re-verified on a routine basis to account for fluctuations in electro-magnetic interference and other environmental factors.
 - Check for electro-magnetic interference. It may occur when M-Scope is placed in very close proximity to a motor (including a fan or air conditioner), a screen (TV or computer) or certain types of fluorescent lighting. The most common result is that the M-Scope will alarm (indicating "Target Detected") when people are carrying very small amounts of metal, even when the M-Scope is set to a very low sensitivity below 5%. One solution is to turn the M-Scope sideways by ninety degrees. If that is not possible or does not work, it is recommended that the M-Scope be moved to a new location a few meters away. A change of just a few meters often eliminates interference.
- Keypad is not functioning correctly.
Pressing certain numbers has no result, especially if the non-functioning numbers are in a straight line such as 2-5-8-0. Contact factory for service.
- For all other issues and more detailed troubleshooting information contact Fisher Labs by phone 800-685-5050 or by email at info@fisherlab.com

SPECIFICATIONS

DIMENSIONS

- 88" x 43.5" x 23.75"

PORTABLE DIMENSIONS

- 37" x 23" x 26"

WEIGHT

- 85 lbs.

SPECIFICATIONS

- Temp -20 C to +60 C (-4 F to +140 F)
- Relative Humidity 95% non condensing

BATTERY/AC POWER

- 2 rechargeable batteries - 40 hours of battery life on a single charge
- AC power options include 110V/60Hz or 220V/50Hz

WARRANTY

- 24 months parts and labor

The MScope metal detector is warranted against defects in materials and workmanship under normal use for two years from the date of purchase to the original owner.

Damage due to neglect, accidental damage or misuse of this product is not covered under this warranty. Decisions regarding abuse or misuse of the detector are made solely at the discretion of the manufacturer.

Proof of purchase is required to make a claim under this warranty.

NOTE TO CUSTOMERS OUTSIDE THE U.S.A.

This warranty may vary in other countries, check with your distributor for details.

Warranty does not cover shipping costs.

Liability under this Warranty is limited to replacing or repairing, at our option, the metal detector returned, shipping cost prepaid, to Fisher Labs. Shipping cost to Fisher Labs is the responsibility of the consumer.

According to FCC part 15.21 Changes or Modifications made to this device not expressly approved by the party responsible for compliance could void the users authority to operate this equipment.

To return your detector for service, please first contact Fisher Labs for a Return Authorization (RA) Number. Reference the RA number on your package and return the detector within 15 days of calling to:

Fisher Research Labs, Inc.

1465 Henry Brennan Dr. El Paso, TX 79936 U.S.A.

Phone: 915-225-0333 ext.118

Warranty coverage does not include the cost of transporting the detector back to an owner who is located outside of the United States of America.

NOTE: This equipment has been tested and found to comply with the limits for a Class B digital device pursuant to Part 15 of the FCC Rules. These limits are designed to provide reasonable protection against harmful interference in a residential installation. This equipment generates, uses, and can radiate radio frequency energy and, if not installed and used in accordance with the instructions, may cause harmful interference to radio communications. However, there is no guarantee that interference will not occur in a particular installation. If this equipment does cause harmful interference to radio or television reception, which can be determined by turning the equipment off and on, the user is encouraged to try and correct the interference by one or more of the following measures:

- Reorient or relocate the receiving antenna.
- Increase the separation between the equipment and the receiver.
- Connect the equipment into an outlet on a circuit different from that to which the receiver is connected.
- Consult the dealer or an experienced radio/TV technician for help

FISHER[®] RESEARCH
LABS

SECURITY SOLUTIONS

Fisher Research Laboratory

1465 Henry Brennan,

El Paso, Texas 79936 U.S.A.

Tel 915.225.0333 Fax 915.225.0336

www.fisherlab.com email: info@fisherlab.com

ACCESSORIES AND PARTS



- **CW-10 HAND-HELD CONCEALED WEAPONS DETECTOR** Hand-held precision locator for all types of metal in a highly durable package. Designed for stand alone use or in conjunction with Fisher's M-Scope Portable Walk-Through Metal Detector.



- **POP UP SHELTER** A 5' x 5' shelter ideal for outdoor use. This lightweight pop up shelter folds compactly for quick and easy transport.



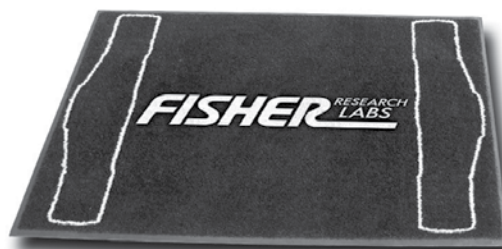
- **TWO 12 VOLT BATTERIES AND EXTRA-LENGTH RATCHET WRENCH FOR OPENING BASES**



- **BASES WITH BUILT-IN LEVELERS** Located under the bases, the levelers provide extra stability on uneven surfaces (Factory installation required; please specify when ordering).



- **PROTECTIVE BAG/DUST COVER** A durable protective cover for transportation or storage.



- **FLOOR MAT** A heavy duty floor mat to minimize dirt in outdoor setups. Also provides a "footprint" for easy M-Scope setup and photo diode alignment.



- **OPERATIONAL TEST PIECE** Assists in M-Scope calibration. Designed to FAA specifications.

1465-H Henry Brennan, El Paso, Texas 79936
Tel 915.225.0333 • Fax 915.225.0336 • 1-800-685-5050
www.fisherlab.com email: info@fisherlab.com

